

DRAWING LIST

1. Title Sheet
2. First Floor
3. Second Floor
4. RCP - First Floor
5. RCP - Second Floor
6. Second Floor Structure
7. Hall 1 Elevations
8. Hall 2 Elevations
9. Hall 3 Elevations
10. Briefing Elevations
11. Typical Wall Connections (Details)
12. Exterior Wall Elevations
13. N-S Section
14. E-W Section
15. Cave
16. Surface Floor
17. Surface Floor 2
18. Surface Floor 3
19. Surface Floor 4
20. Motion Floor
21. Roof
22. Exterior Facades
23. Stairs
24. Ramps
25. Railing/Stair/Ramp Details

26. Emergency
27. Door Schedule
28. Fixture Schedule
29. Assembly Plan
30. Deconstruction Plan

PROJECT CONTACT INFO PRODUCERS

- MICHAEL CAMPBELL - (941) 539-0776
- FREDDIE SULIT - (773) 358-8355

ARCHITECTURAL DESIGNER

- CRAIG WELLS - (310) 936-4035

FACULTY ADVISORS

- RUTH COMLEY
- RALPH VITUCCIO

PROJECT DESCRIPTION:
BUILDING A 2-STORY BOOTH FOR THE 2010
CMU SPRING CARNIVAL REPRESENTING THE
ENTERTAINMENT TECHNOLOGY CENTER AT
CMU. THIS IS A NON-COMPETING BOOTH.

LEGEND

DOOR SYMBOL



HEIGHT ABOVE GROUND LEVEL SYMBOL

+X' XX"

DETAIL TITLE AND NUMBER

DETAIL TITLE

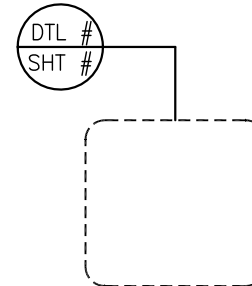
SCALE: 1/X" = 1'-0"

X

SECTION SYMBOL



DETAIL SYMBOL



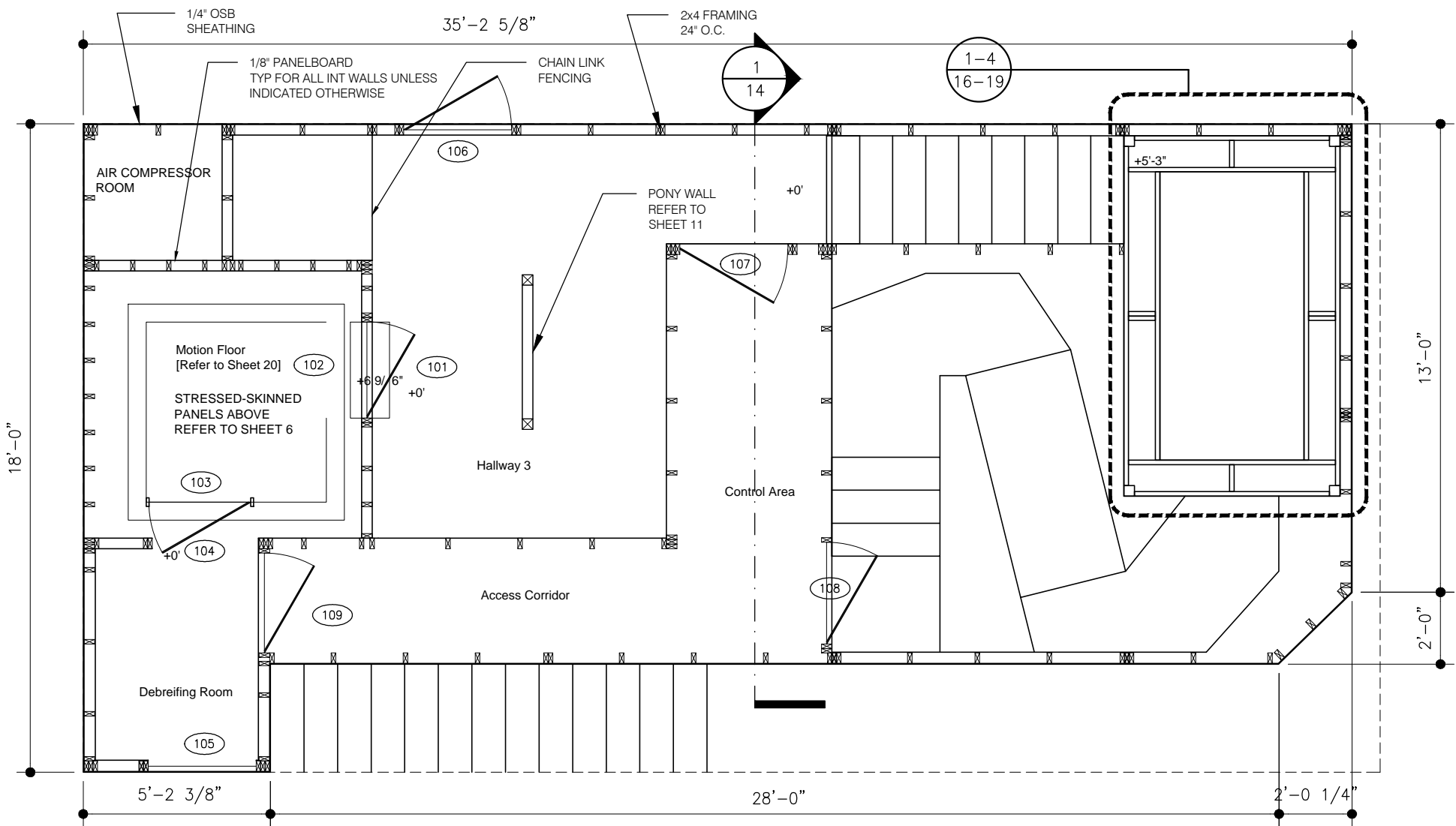
The ImininTech Project
Spring Carnival 2010
ETC Global

Title : Title Page
Description: Drawing List, Legend, and Project Info
Reference : None

Scale : N/A
Date : February 26, 2010
By : CW

Sheet No. :

1
of 30



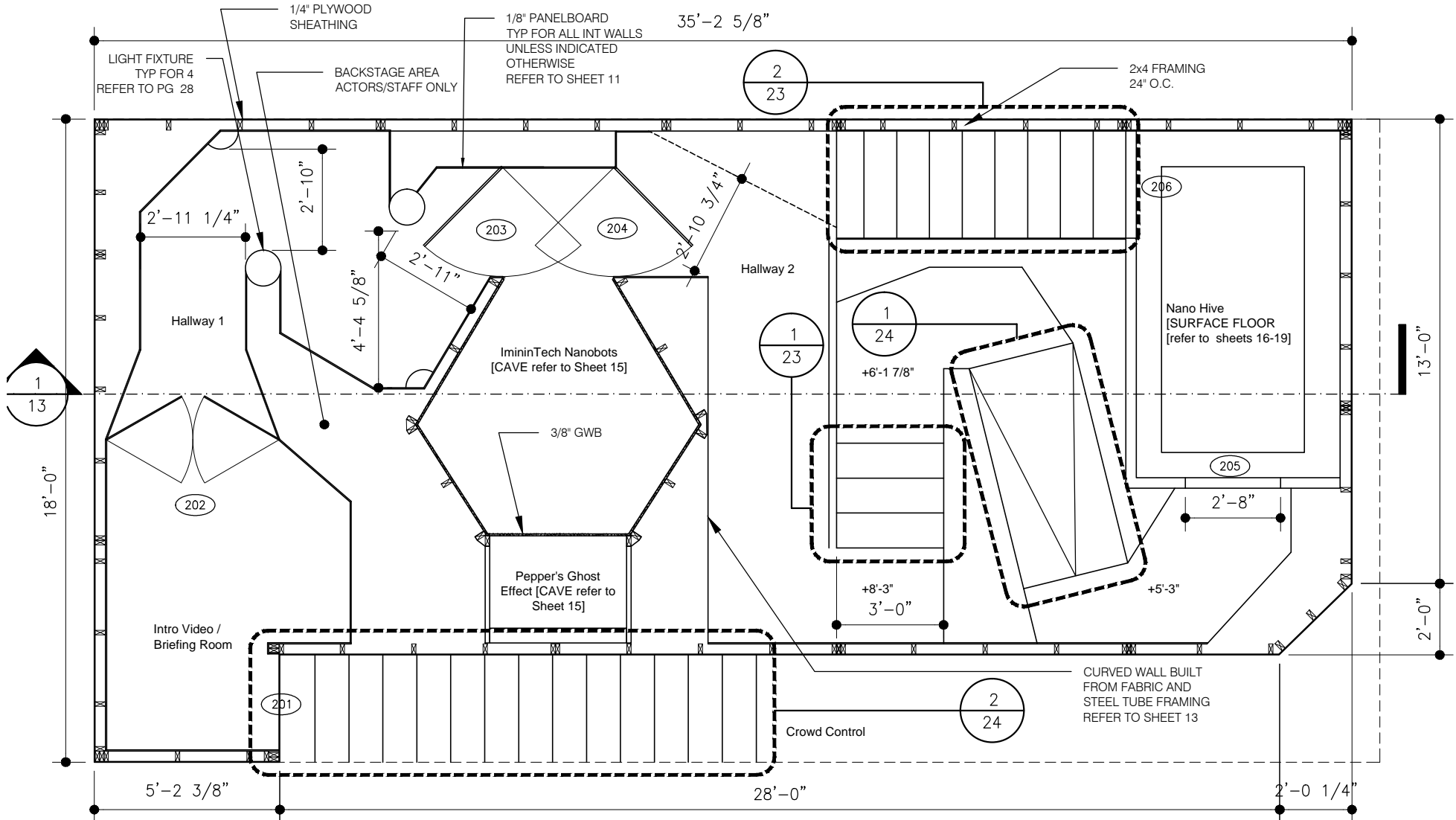
The ImininTech Project
Spring Carnival 2010
ETC Global

Title : First Floor Plan
Description: Layout of first floor path and walls
Reference : None

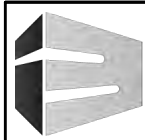
Scale : 1/4" = 1'-0"
Date : February 26, 2010
By : CW

Sheet No. :

2
of 30



-DOOR SCHEDULE ON PG 27 DENOTES
DOOR TYPE, SWING, AND HARDWARE USED.



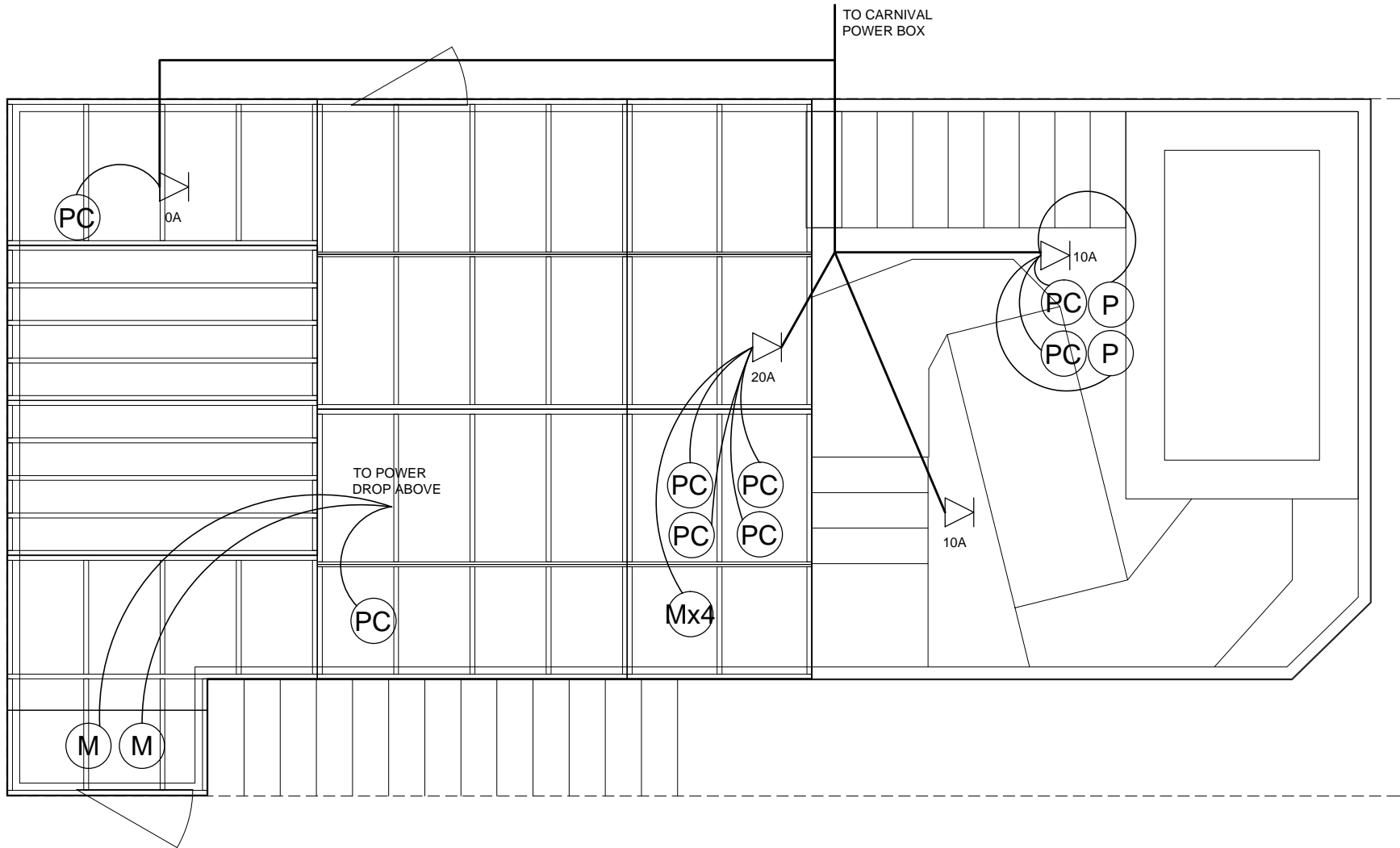
The IminTech Project
Spring Carnival 2010
ETC Global

Title : Second Floor Plan
Description: Layout of second floor path and walls
Reference : None

Scale : 1/4" = 1'-0"
Date : February 26, 2010
By : CW

Sheet No. :

3
of 30



LEGEND

- ▷

POWER DROP
- PC

COMPUTER
- M

MONITOR
- P

PROJECTOR
- TV

TELEVISION



The ImininTech Project
Spring Carnival 2010
ETC Global

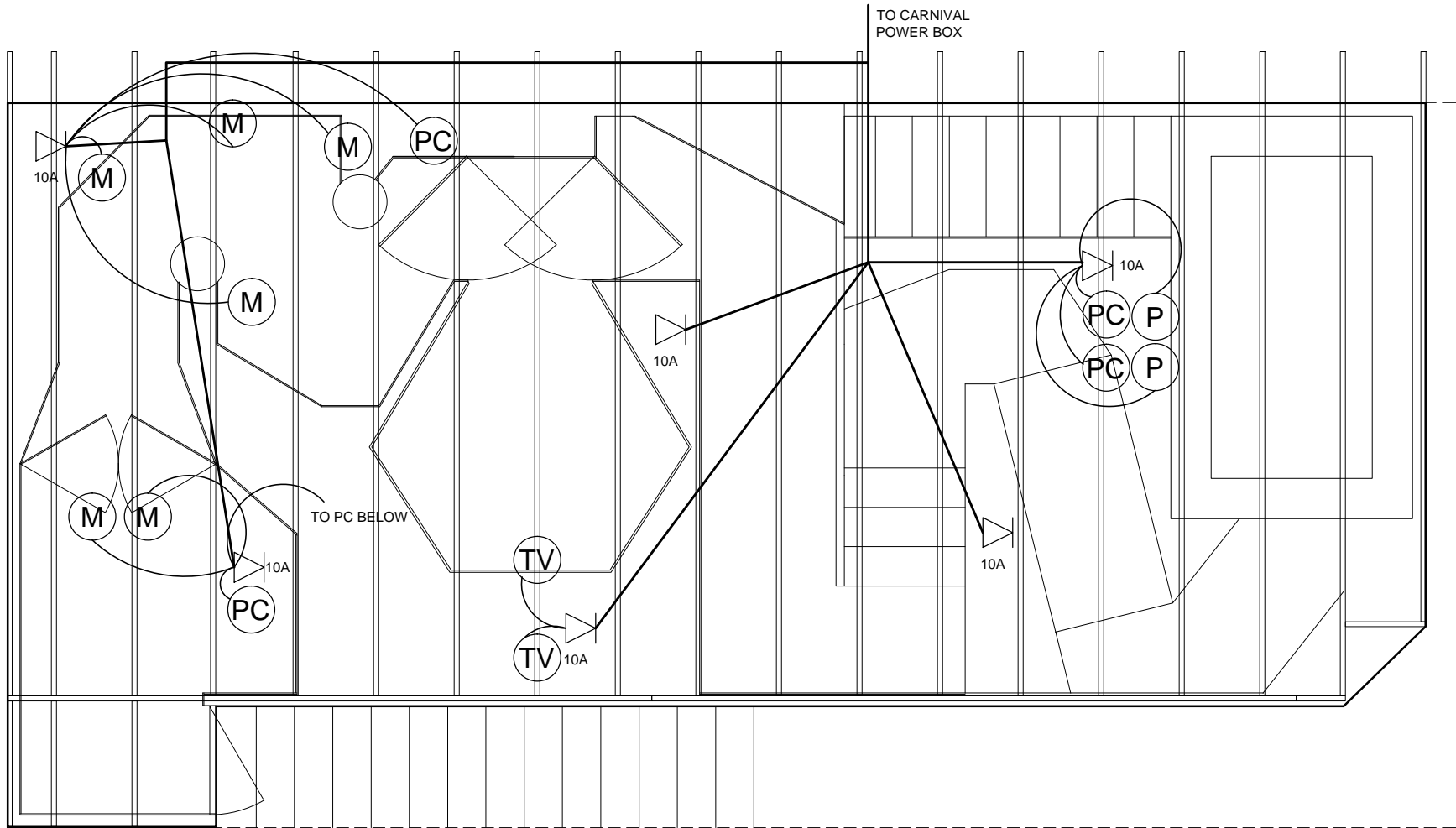
Title : RCP - First Floor
Description: Reflected Ceiling Plan First Floor
Reference : None

Scale : 1/4" = 1'-0"
Date : February 26, 2010
By : CW

Sheet No. :

4

of 30



LEGEND

- ▷
POWER DROP
- PC
COMPUTER

P
PROJECTOR
- M
MONITOR

TV
TELEVISION



The IminTech Project
Spring Carnival 2010
ETC Global

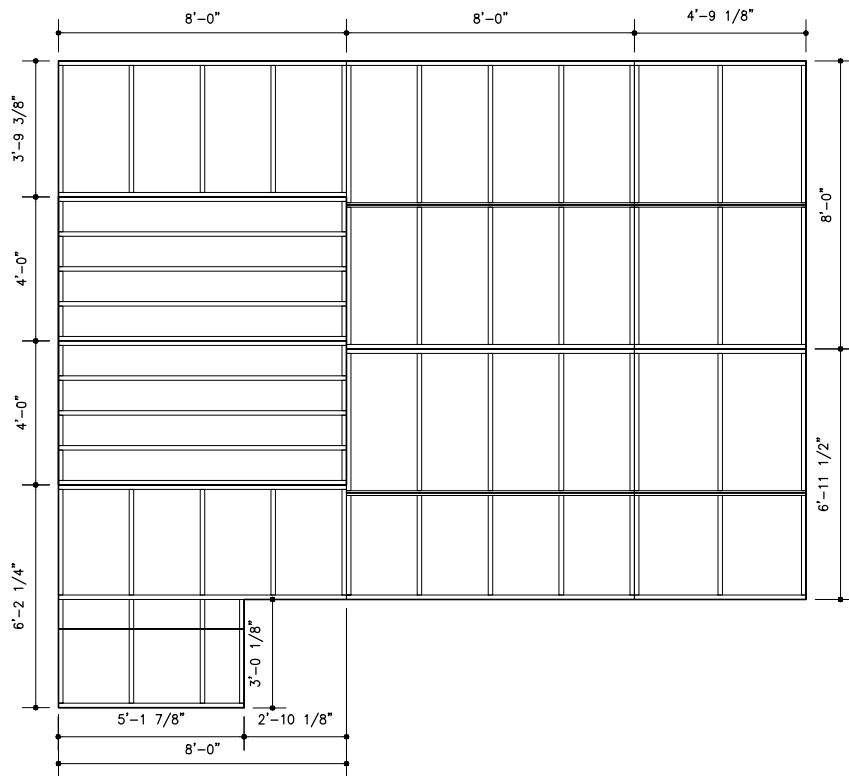
Title : RCP - Second Floor
Description: Second Floor Reflected Ceiling Plan
Reference : None

Scale : 1/4" = 1'-0"
Date : February 26, 2010
By : CW

Sheet No. :

5

of 30



SECOND FLOOR PLAN VIEW

SCALE: 3/16" = 1'-0"

1

3/4" PLYWOOD SHEATH NG

- SHEATHING ATTACHED TO 2X4 FRAMING WITH BRUSHED GLUE AND SCREWS 3" O.C.

- BLOCKING AT ENDS ATTACHED BY TOESCREWS

- JOISTS ARE PLACED 12" O.C.

3/8" PLYWOOD SHEATH NG

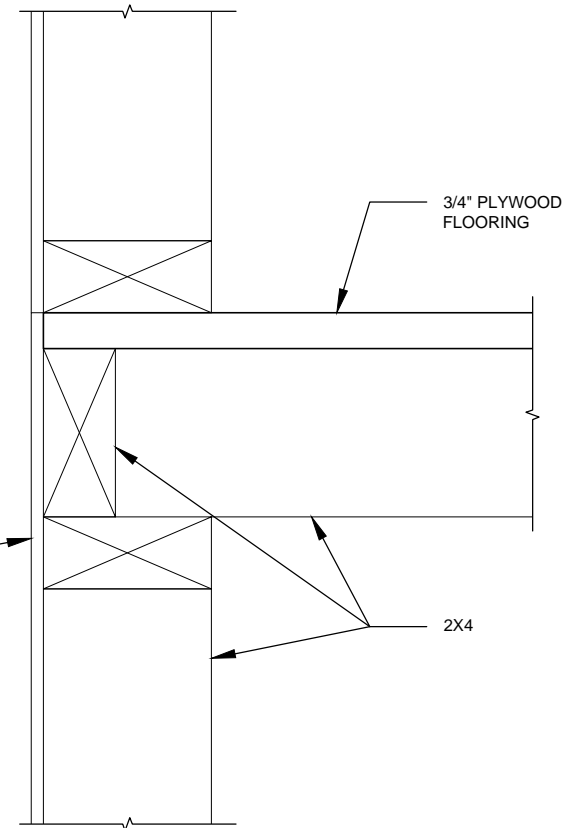
2X4 RIPPED TO 3 1/8" IN W DTH

2X4 BLOCKING

STRESSED-SKIN PANEL(S)

SCALE: 1/2" = 1'-0" & 1/4" = 1'-0"

2



1/4" OSB SHEATH NG

3/4" PLYWOOD FLOORING

2X4

EXT WALL/SECOND FLOOR CONNECTION DETAIL

SCALE: 3" = 1'-0"

4

- SECOND FLOOR IS BUILT FROM PRE-FABRICATED INDIVIDUAL PANELS.

- EACH PANEL WIDTH AND LENGTH IS AT ITS MAXIMUM 8' IN EITHER DIRECTION.

- INDIVIDUAL PANELS ARE ATTACHED TO EACH OTHER BY #6 2.5" SCREWS

- SECOND FLOOR IS SUPPORTED BY THE EXTERIOR STUD WALLS

- FLOOR OVER MOTION FLOOR IS A STRESSED-SKIN STRUCTURE ALLOWING FOR LONGER SPANS FOR SUPPORT.



The ImininTech Project
Spring Carnival 2010
ETC Global

Title : Second Floor Support Structure
Description: Layout of support structure for second floor
Reference : None

Scale : VARIES
Date : February 26, 2010
By : CW

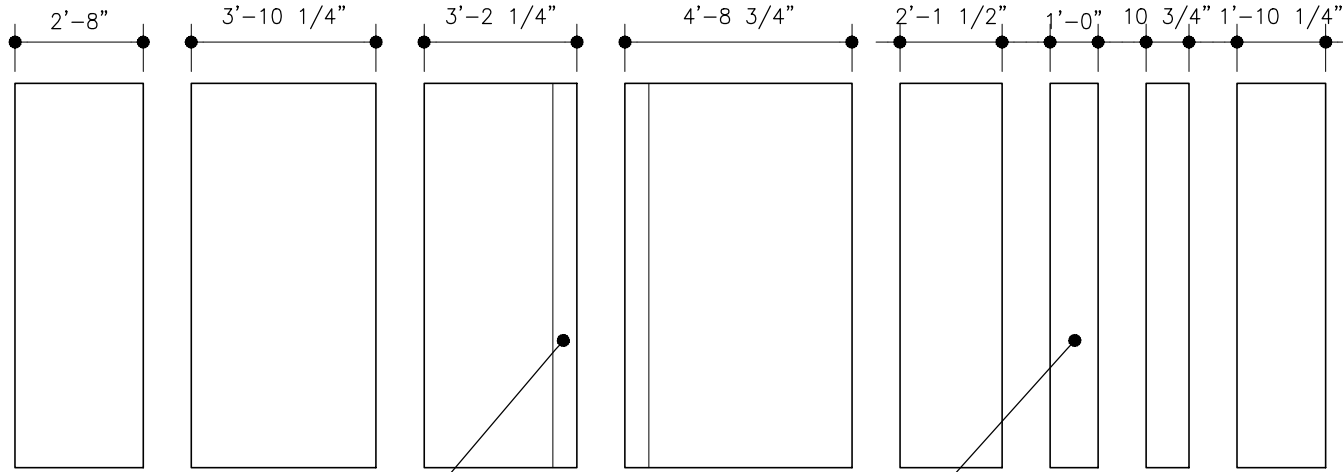
Sheet No. :

6
of 30

-WALLS ARE MADE OF
WHITE BOARD MASONITE
PANELS UNLESS NOTED
OTHERWISE

- PANELS ARE REINFORCED
BY 1 X 3 FRAMING UNLESS
NOTED OTHERWISE - REFER
TO SHEET 11 FOR DETAILS

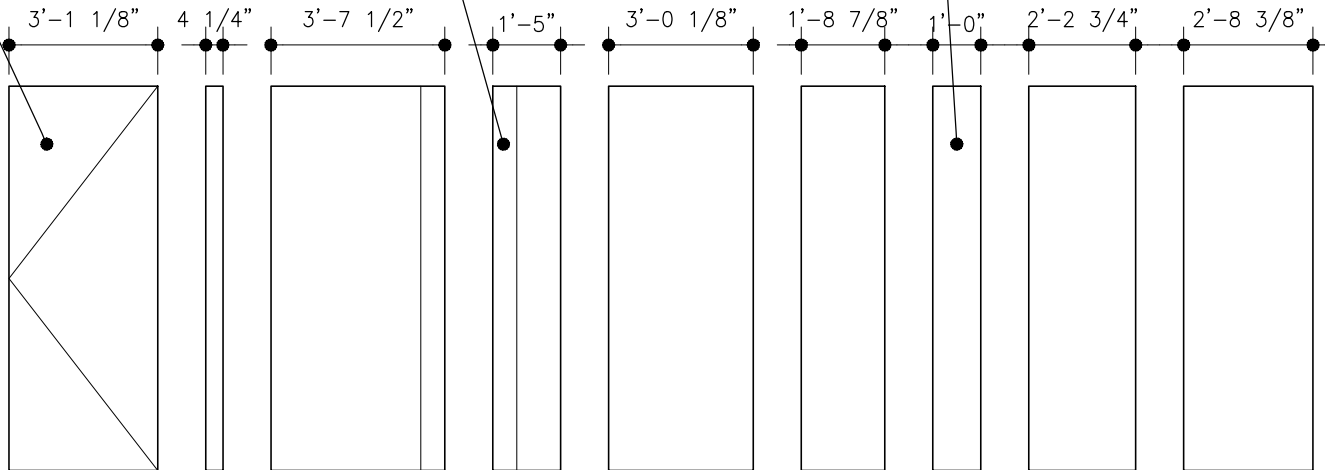
- WALL PANELS ARE
FASTENED TOGETHER BY
BRACKETS AND 3" SCREWS



HALF TUBE LIGHT
REFER TO SHEET 28 FOR
DETAILS

FULL TUBE LIGHT
REFER TO SHEET 28 FOR
DETAILS

DOOR 203
DOUBLE-SWING DOOR
REFER TO SHEET 27



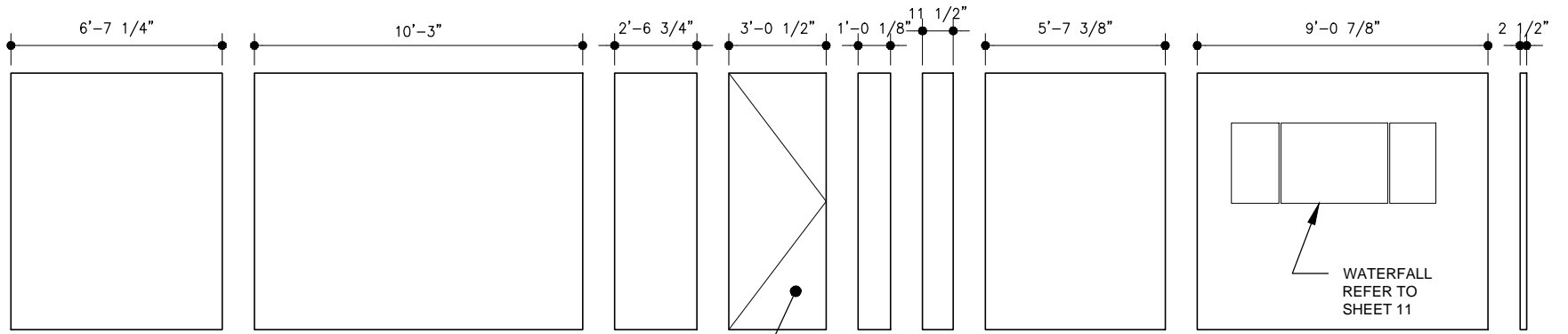
The ImininTech Project
Spring Carnival 2010
ETC Global

Title : Hallway 1 Elevations
Description: Hallway 1 Wall Elevations
Reference : None

Scale : 1/4" = 1'-0"
Date : February 26, 2010
By : CW

Sheet No. :

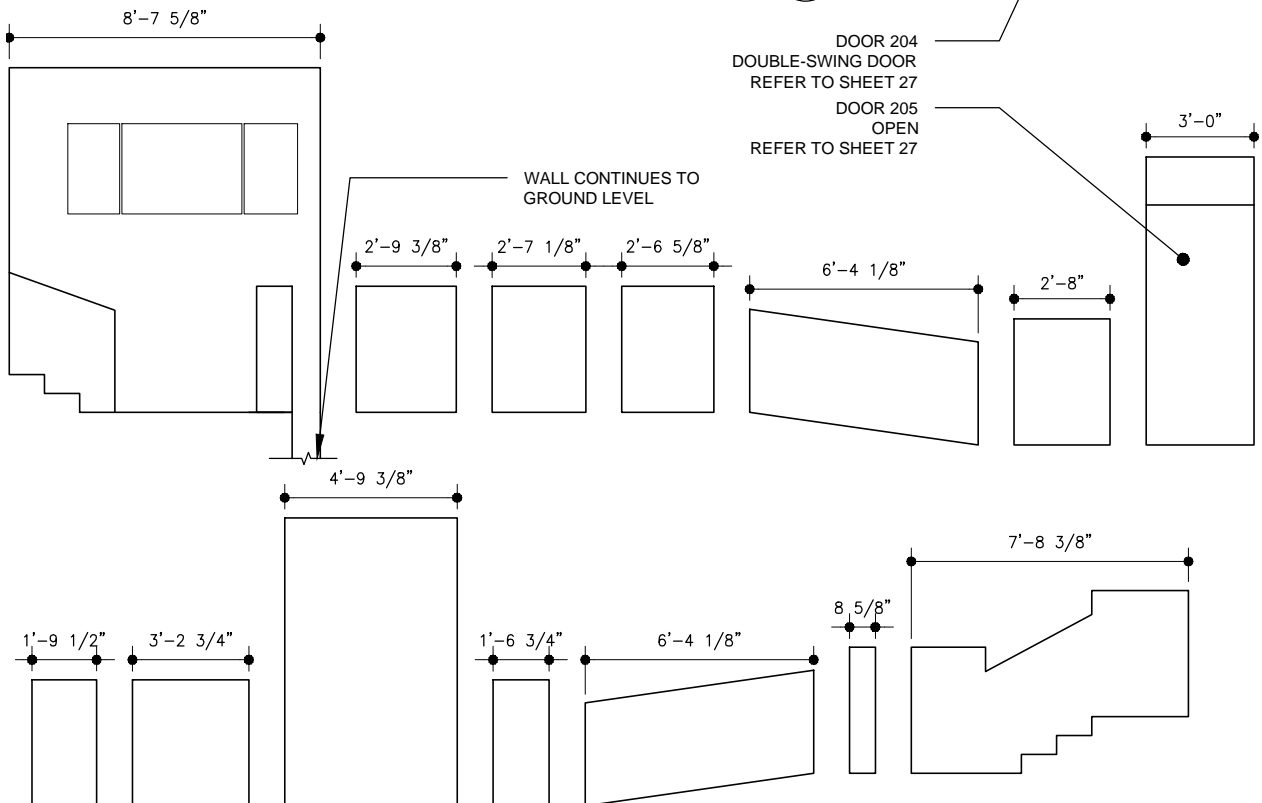
7
of 30



HALLWAY 2 ELEVATIONS - PART 1

SCALE: 3/16" = 1'-0"

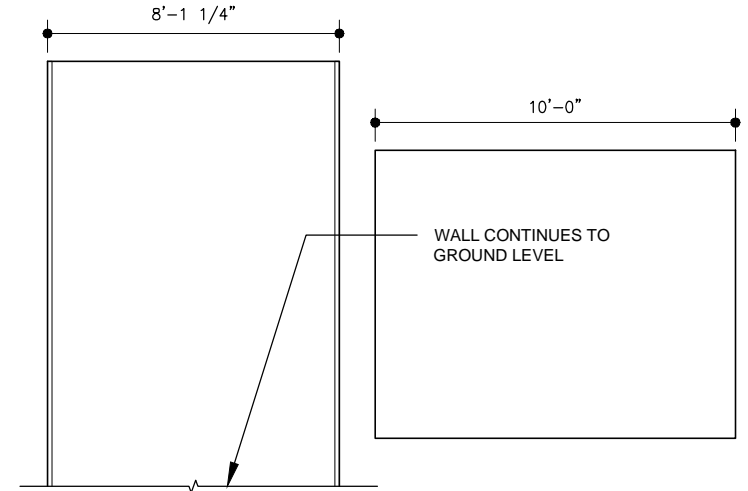
1



HALLWAY 2 ELEVATIONS - PART 2

SCALE: 3/16" = 1'-0"

2



STAIR WALL & SURFACE FLOOR WALL

SCALE: 3/16" = 1'-0"

3

-WALLS ARE MADE OF PANELBOARD UNLESS NOTED OTHERWISE

- PANELS ARE REINFORCED BY 1 X 3 FRAMING UNLESS NOTED OTHERWISE - REFER TO SHEET 11 FOR DETAILS

- WALL PANELS ARE FASTENED TOGETHER BY BRACKETS AND 3" SCREWS

- REFER TO SHEET 23-25 FOR DETAILS ON RAMPS, STAIRS AND RAILINGS



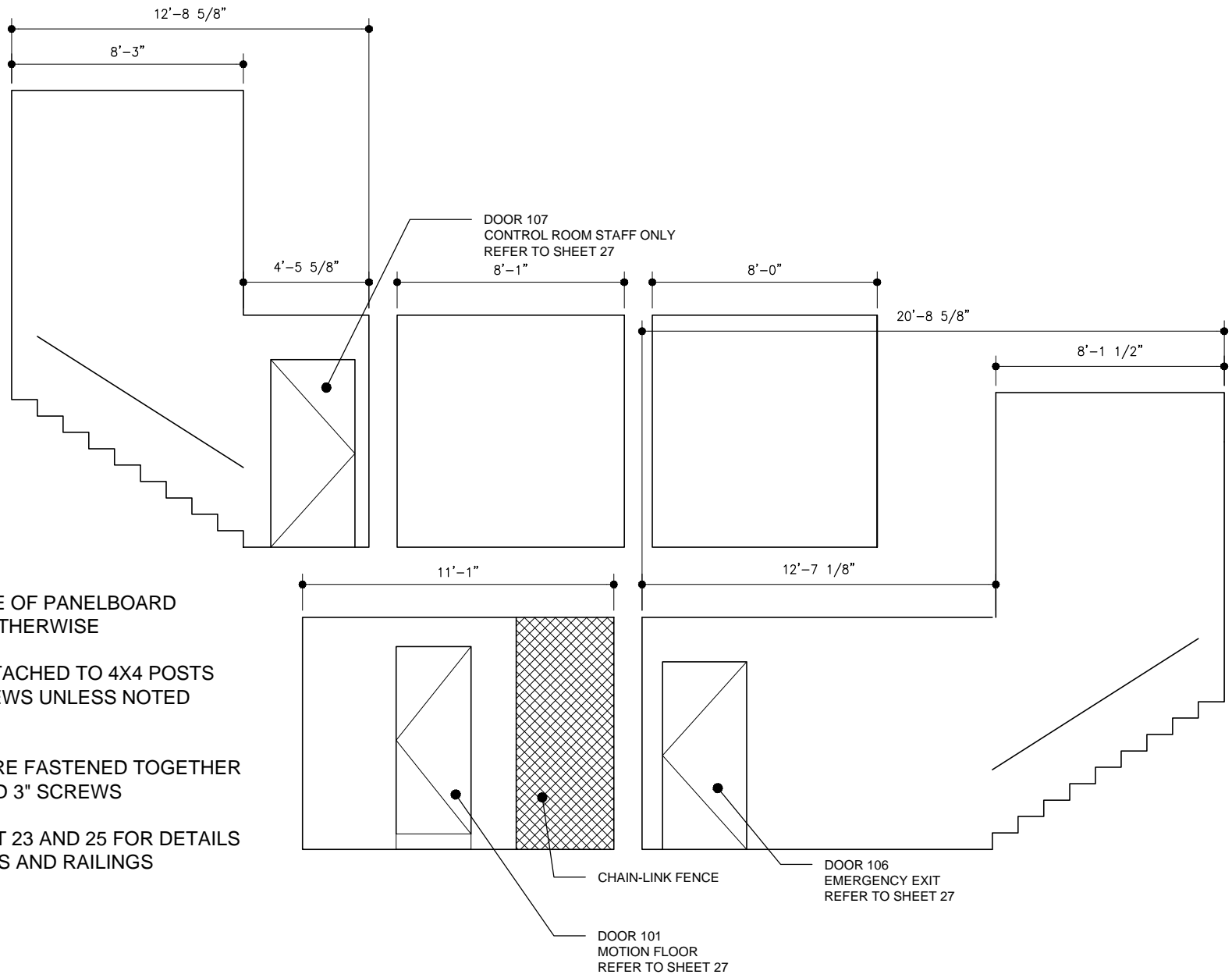
The ImininTech Project
Spring Carnival 2010
ETC Global

Title : Hallway 2 & Surface Floor Elevations
Description: Hallway 2 & Surface Floor Wall Elevations
Reference : None

Scale : 3/16" = 1'-0"
Date : February 26, 2010
By : CW

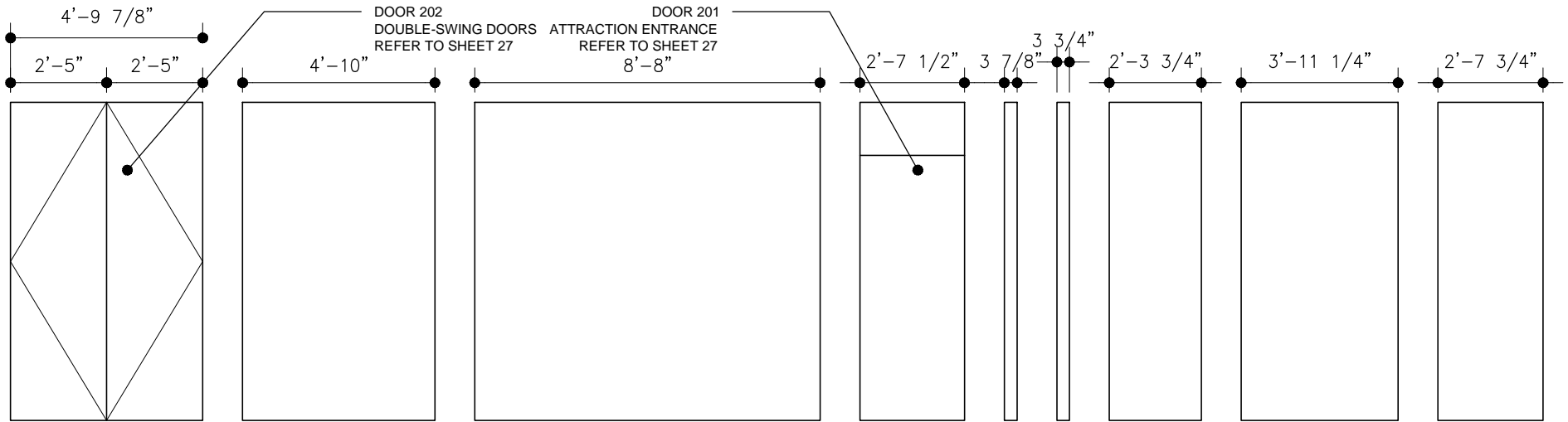
Sheet No. :

8
of 30



- WALLS ARE MADE OF PANELBOARD UNLESS NOTED OTHERWISE
- PANELS ARE ATTACHED TO 4X4 POSTS WITH #6 2.5" SCREWS UNLESS NOTED OTHERWISE -
- WALL PANELS ARE FASTENED TOGETHER BY BRACKETS AND 3" SCREWS
- REFER TO SHEET 23 AND 25 FOR DETAILS ON RAMPS, STAIRS AND RAILINGS

	<p>The ImininTech Project Spring Carnival 2010 ETC Global</p>	<p>Title : Hallway 3 Elevations Description: Hallway 3 Wall Elevations Reference : None</p>	<p>Scale : 3/16" = 1'-0" Date : February 26, 2010 By : CW</p>	<p>Sheet No. : 9 of 30</p>
---	---	---	---	---



-WALLS ARE MADE OF WHITE BOARD MASONITE PANELS UNLESS NOTED OTHERWISE

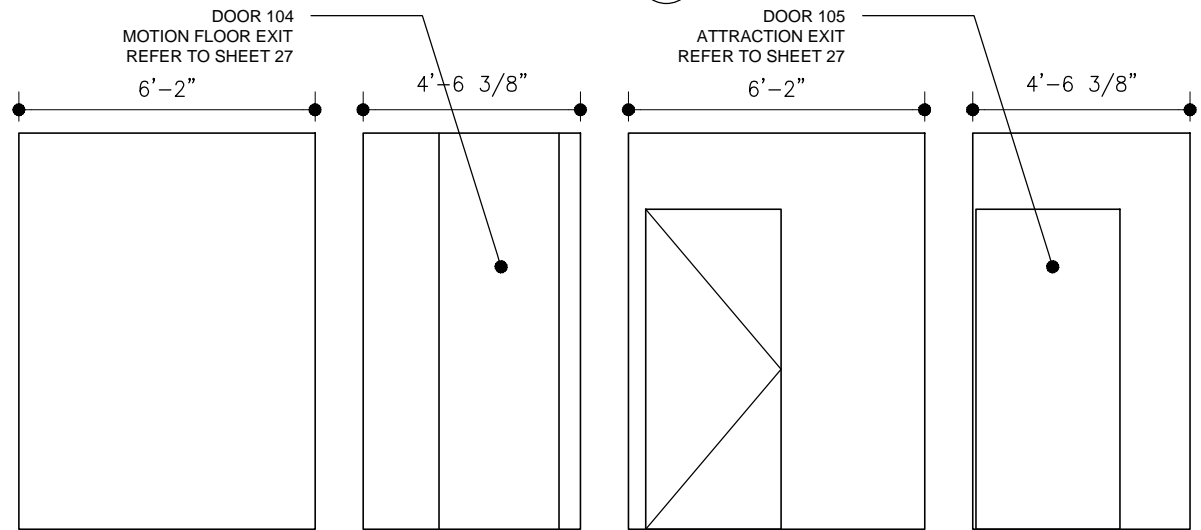
- PANELS ARE REINFORCED BY 1 X 3 FRAMING UNLESS NOTED OTHERWISE - REFER TO SHEET 11 FOR DETAILS

- WALL PANELS ARE FASTENED TOGETHER BY BRACKETS AND 3" SCREWS

BRIEFING ROOM ELEVATIONS

SCALE: 1/4" = 1'-0"

1



DE-BRIEFING ROOM ELEVATIONS

SCALE: 1/4" = 1'-0"

2



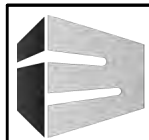
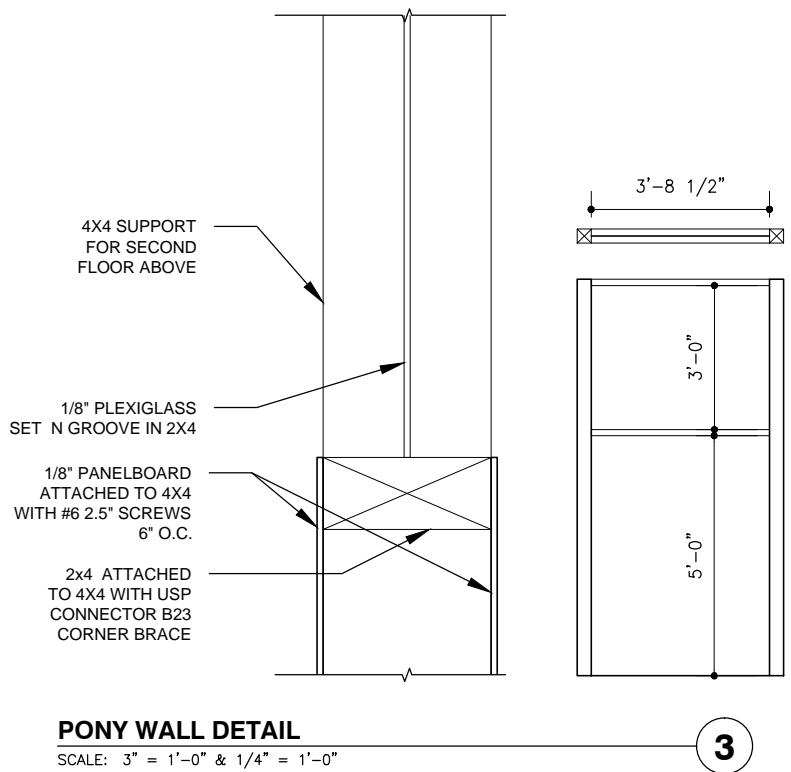
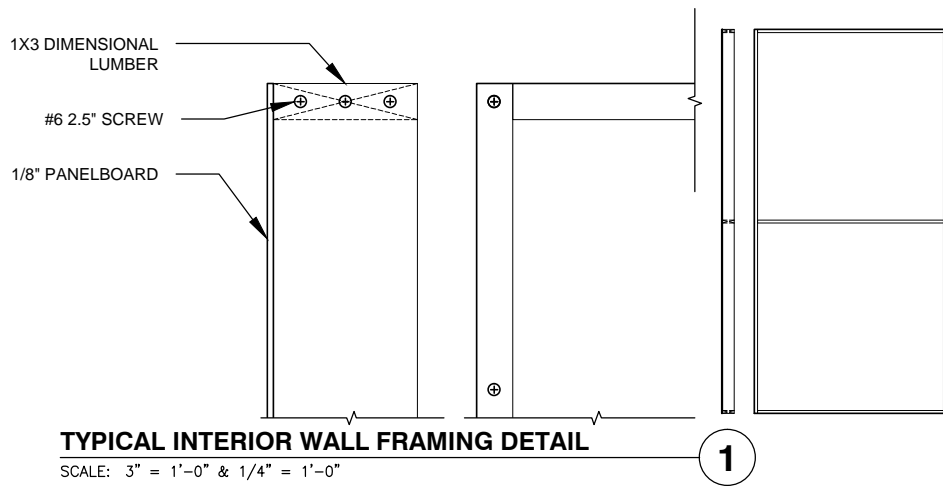
The ImininTech Project
Spring Carnival 2010
ETC Global

Title : Briefing/De-Briefing Rooms Elevations
Description: Briefing/De-Briefing Room Wall Elevations
Reference : None

Scale : 1/4" = 1'-0"
Date : February 26, 2010
By : CW

Sheet No. :

10
of 30

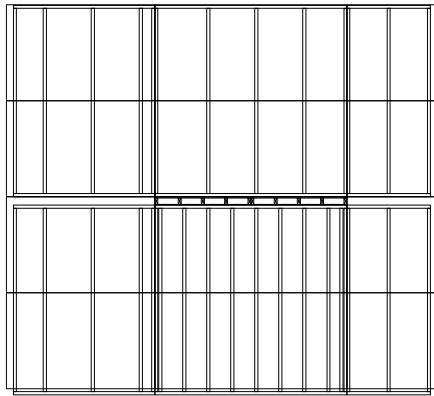


The ImininTech Project
Spring Carnival 2010
ETC Global

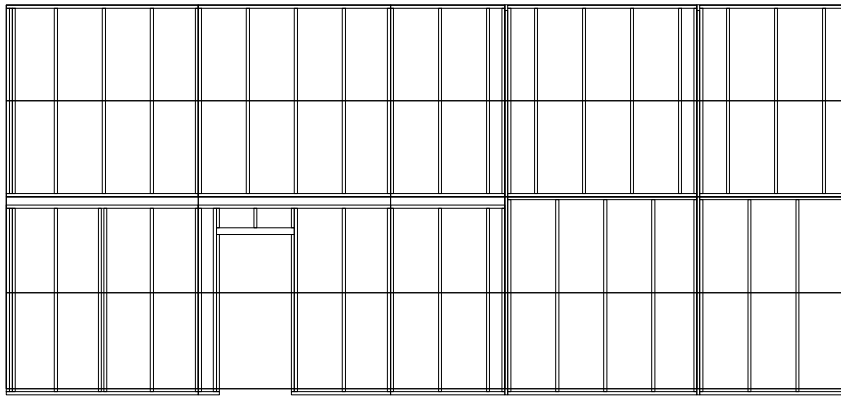
Title : Typical Wall Connection Details
Description: Details of Int and Ext Wall Connections
Reference : None

Scale : 1/4" = 1'-0"
Date : February 26, 2010
By : CW

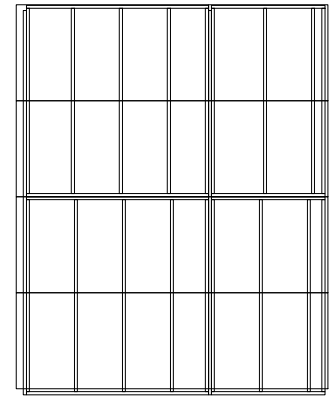
Sheet No. :
11
of 30



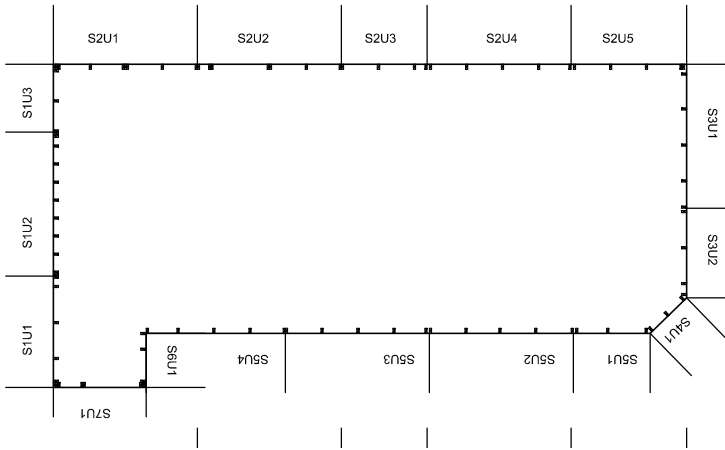
Side 1



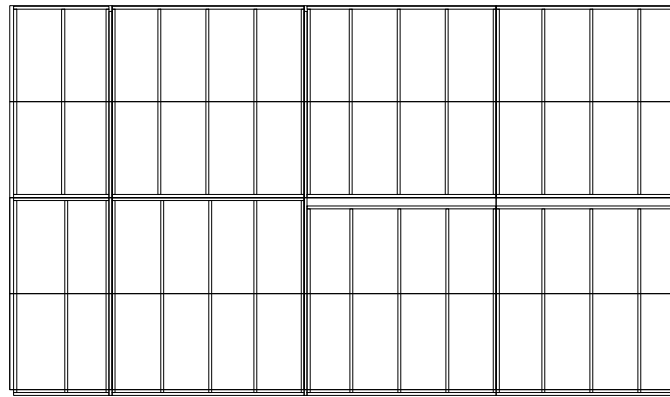
Side 2



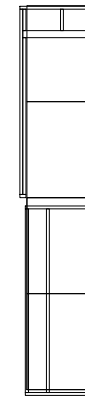
Side 3



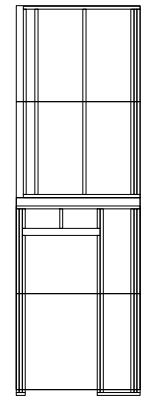
Side 4



Side 5



Side 6



Side 7

EXTERIOR WALL PLAN

SCALE: 3/32" = 1'-0"

1

EXTERIOR WALL ELEVATIONS

SCALE: 1/8" = 1'-0"

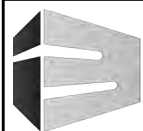
2

- 2X4 STUD FRAMING
WITH STUDS 2' O.C.
UNLESS OTHERWISE
NOTED

-FASTENER
SCHEDULE BASED ON
STANDARD HOUSE
CONSTRUCTION

- 16' 2X4 PLACED
EVERY 8' N WALLS
WITHOUT 2ND FLOOR

- REFER TO SHEET 6
FOR 2ND FLOOR
CONNECTION DETAIL



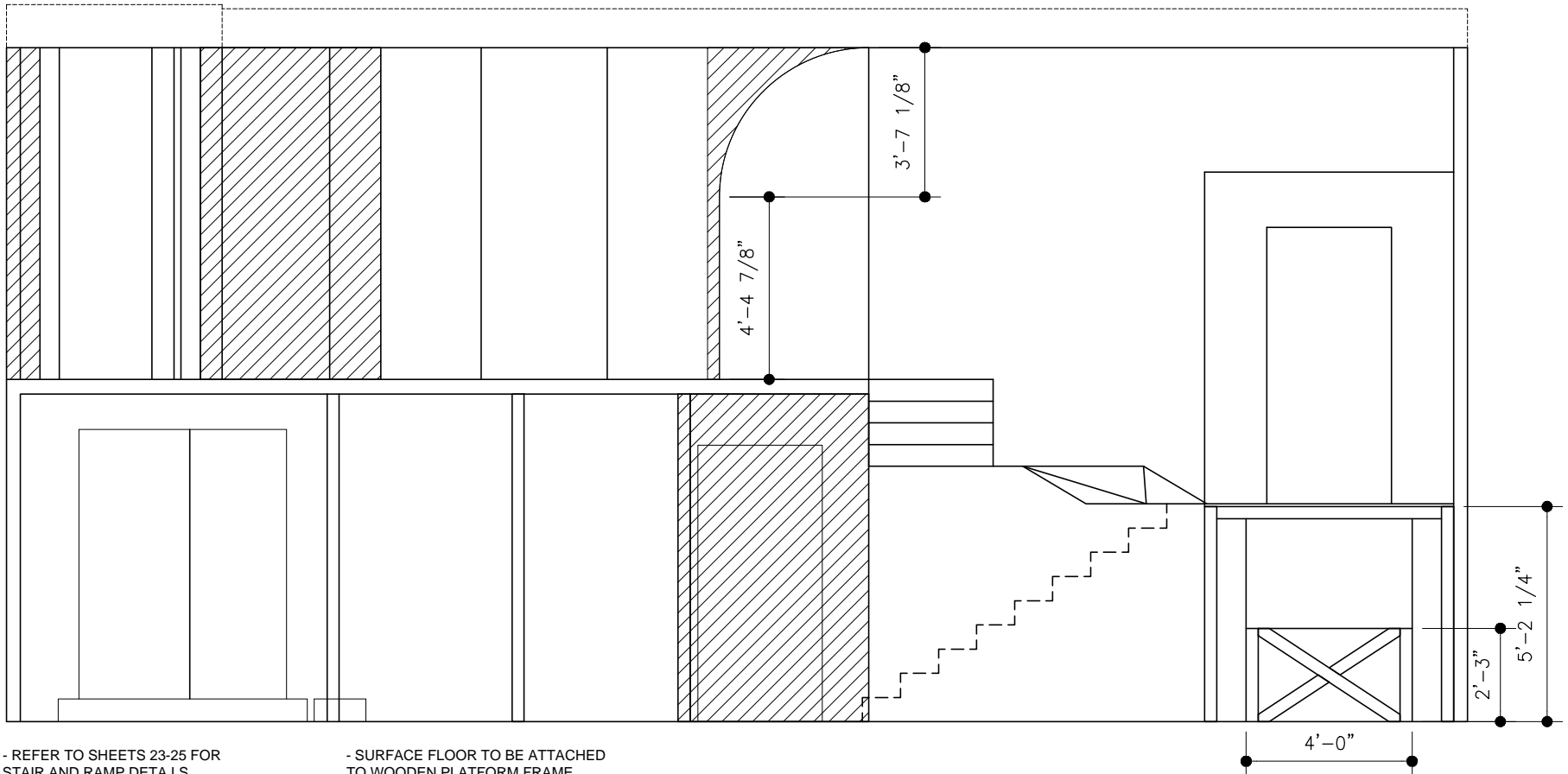
The ImininTech Project
Spring Carnival 2010
ETC Global

Title : Exterior walls elevations
Description: Layout of interior of exterior walls
Reference : None

Scale : 1/8" = 1'-0"
Date : February 26, 2010
By : CW

Sheet No. :

12
of 30



- REFER TO SHEETS 23-25 FOR STAIR AND RAMP DETAILS

- CURVED WALL TO BE MADE OF FABRIC STRETCHED ACROSS CURVED STEEL RODS

- RODS TO BE ATTACHED TO FLOOR AND WALL ON OPPOSITE SIDE OF HALLWAY FOR STABILITY

- SURFACE FLOOR TO BE ATTACHED TO WOODEN PLATFORM FRAME

- WOODEN PLATFORM FRAME TO BE ATTACHED TO BUILDING AT STUD WALLS WITH SILICON SPACERS IN BETWEEN

4'-0"

2'-3"

5'-2 1/4"

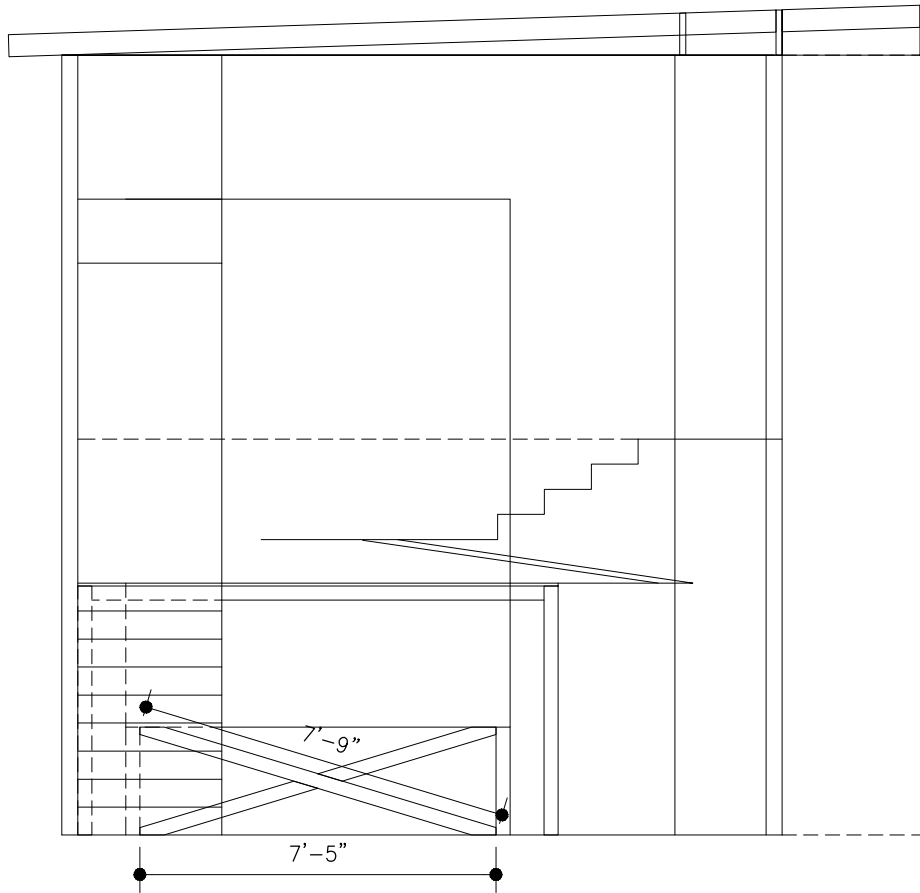


The ImininTech Project
Spring Carnival 2010
ETC Global

Title : North South Section
Description: Section of building in north/south direction
Reference : None

Scale : 1/4" = 1'-0"
Date : February 26, 2010
By : CW

Sheet No. :
13
of 30

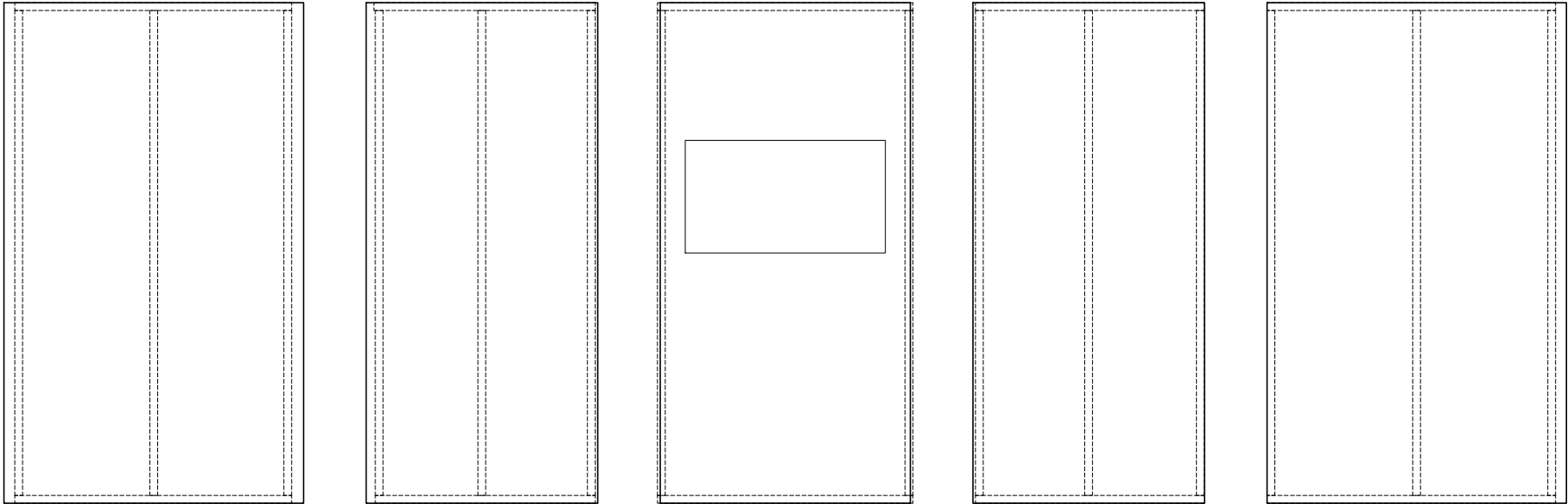


- REFER TO SHEETS 23-25 FOR STAIR AND RAMP DETAILS

- SURFACE FLOOR TO BE ATTACHED TO WOODEN PLATFORM FRAME

- WOODEN PLATFORM FRAME TO BE ATTACHED TO BUILDING AT STUD WALLS WITH SILICON SPACERS IN BETWEEN

	<p>The ImininTech Project Spring Carnival 2010 ETC Global</p>	<p>Title : East/West Section Description: Section of building in east-west direction Reference : None</p>	<p>Scale : 1/4" = 1'-0" Date : February 26, 2010 By : CW</p>	<p>Sheet No. : 14 of 30</p>
--	---	---	--	--

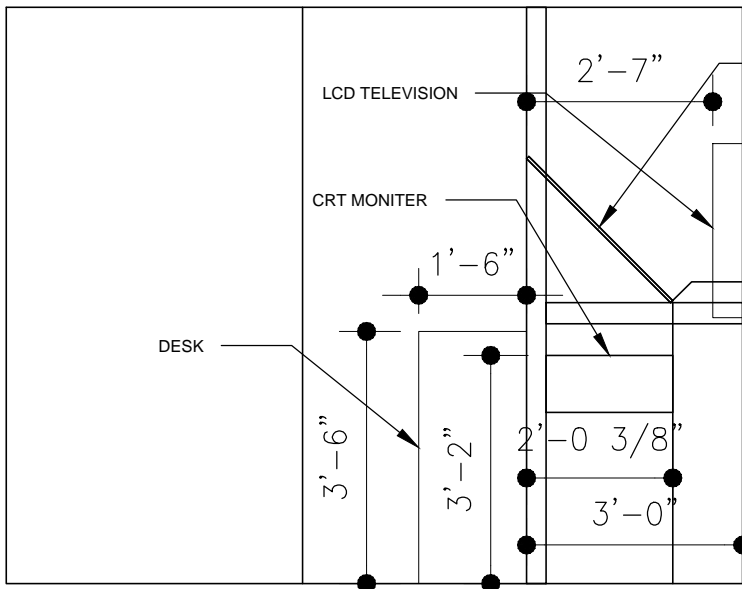


- Walls panels are 3/8" GWB

CAVE ELEVATIONS

SCALE: 3/8" = 1'-0"

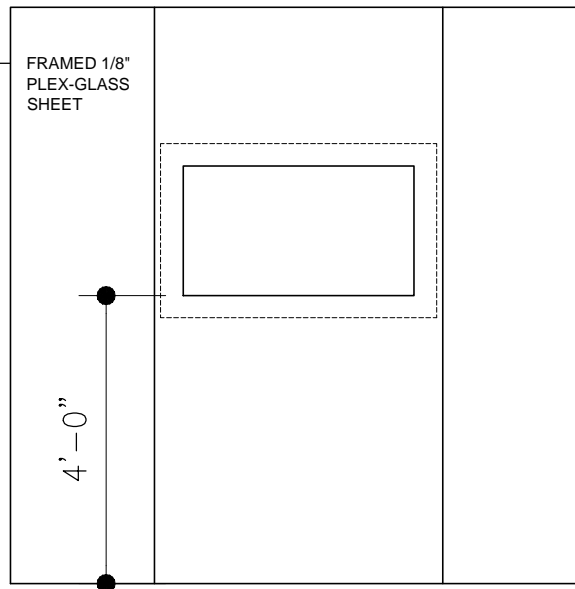
1



E/W CAVE SECTION

SCALE: 1/4" = 1'-0"

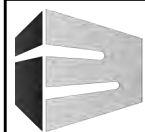
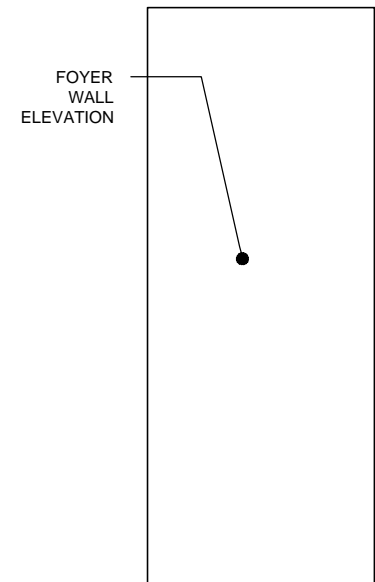
2



N/S CAVE SECTION

SCALE: 3/8" = 1'-0"

3



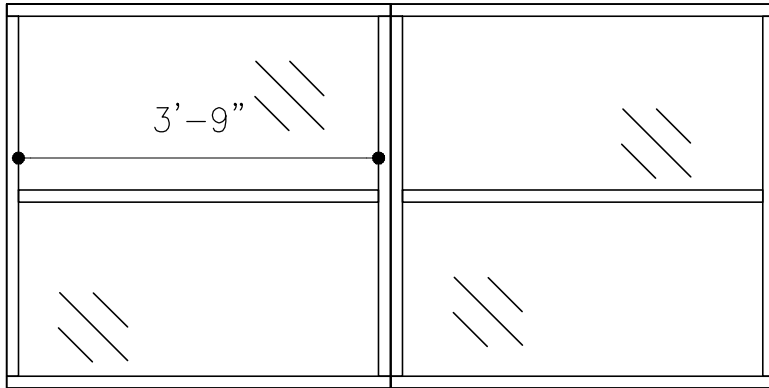
The ImininTech Project
Spring Carnival 2010
ETC Global

Title : Cave Interaction Details
Description: Details of Cave construction
Reference : None

Scale : 3/8" = 1'-0"
Date : February 26, 2010
By : CW

Sheet No. :

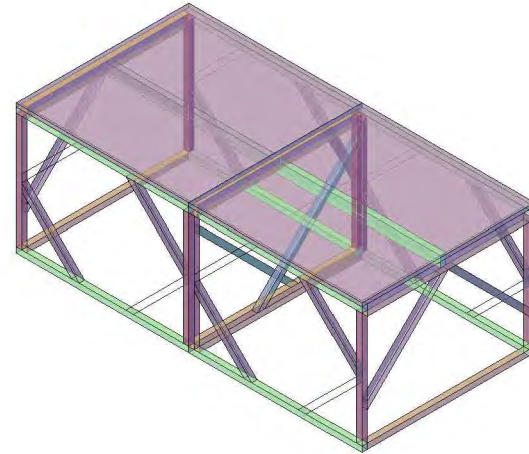
15
of 30



PLAN

SCALE: 1/2" = 1'-0"

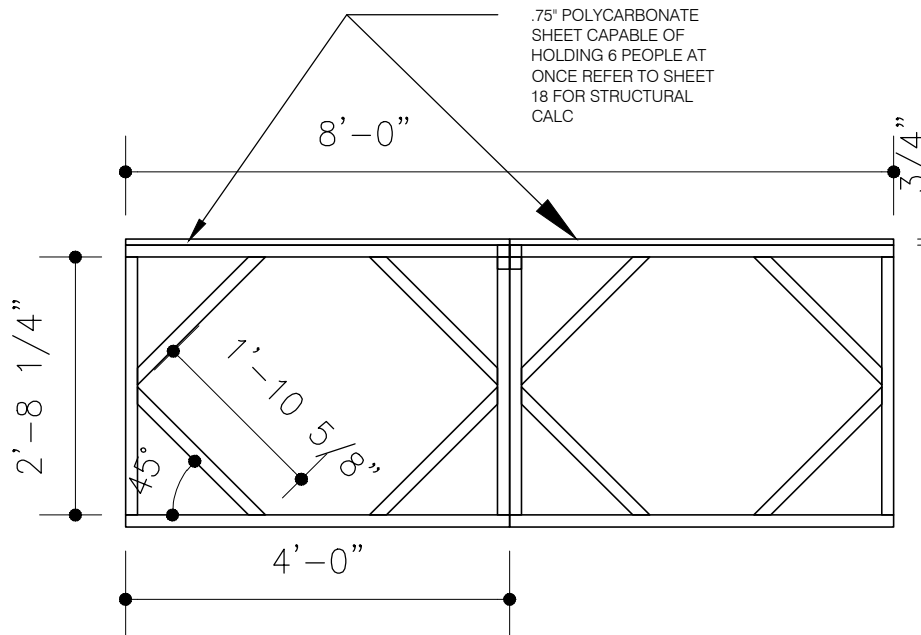
1



AXIOMETRIC

SCALE: N/A

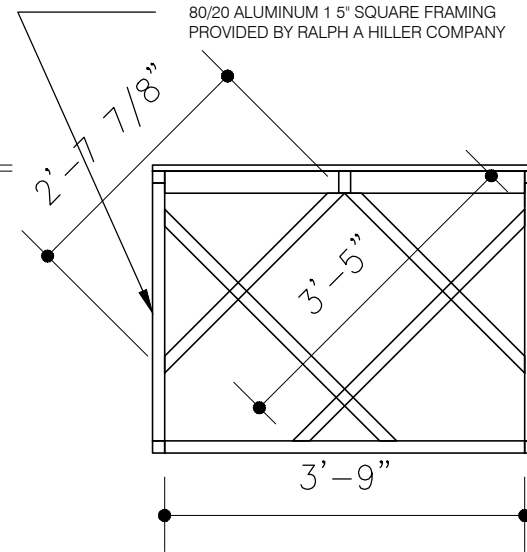
4



ELEVATION

SCALE: 1/2" = 1'-0"

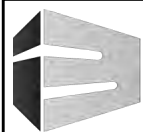
2



ELEVATION

SCALE: 1/2" = 1'-0"

3



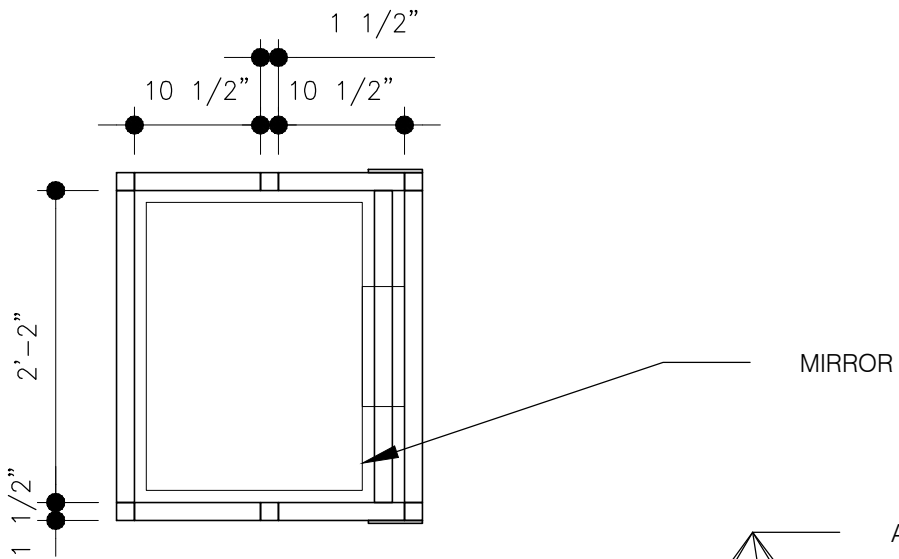
The ImininTech Project
Spring Carnival 2010
ETC Global

Title : Surface Floor Details
Description: Details of surface floor construction
Reference : None

Scale : 1/2" = 1'-0"
Date : February 26, 2010
By : CW

Sheet No. :

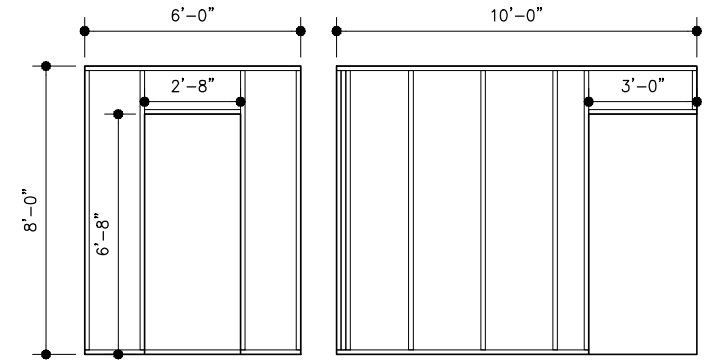
16
of 30



PLAN

SCALE: 3/4" = 1'-0"

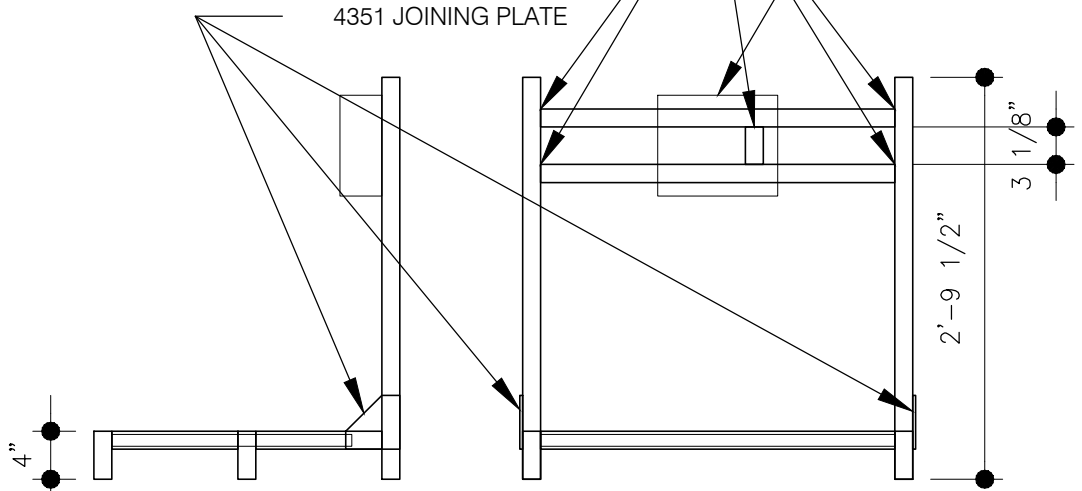
1



SURFACE FLOOR ELEVATIONS

SCALE: 3/16" = 1'-0"

1



ELEVATION

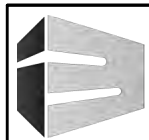
SCALE: 3/4" = 1'-0"

2

ELEVATION

SCALE: 3/4" = 1'-0"

3



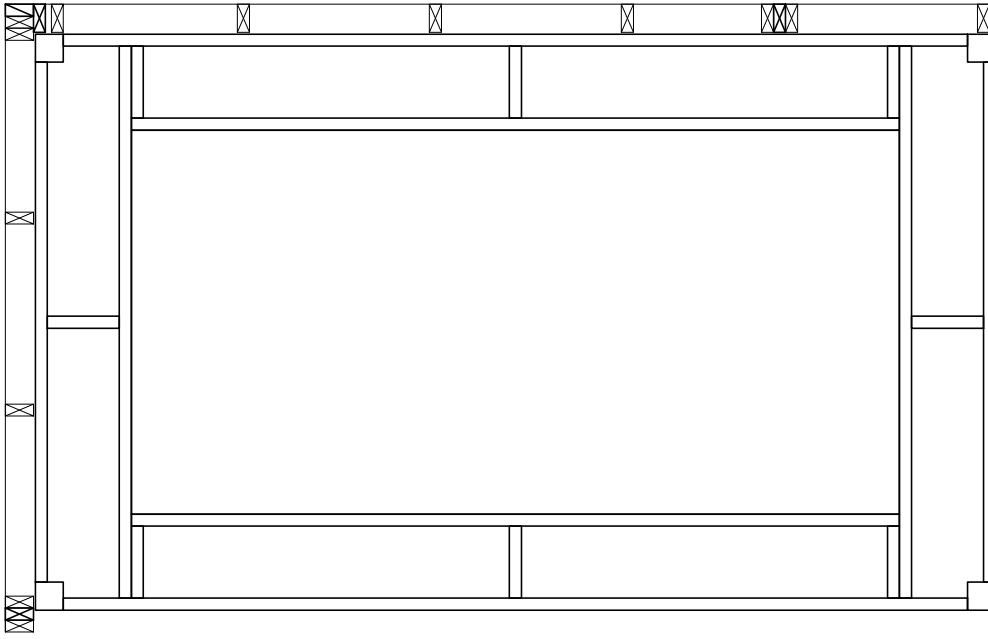
The ImininTech Project
Spring Carnival 2010
ETC Global

Title : Surface Floor Details
Description: Details of surface floor construction
Reference : None

Scale : VARIES
Date : February 26, 2010
By : CW

Sheet No. :

17
of 30

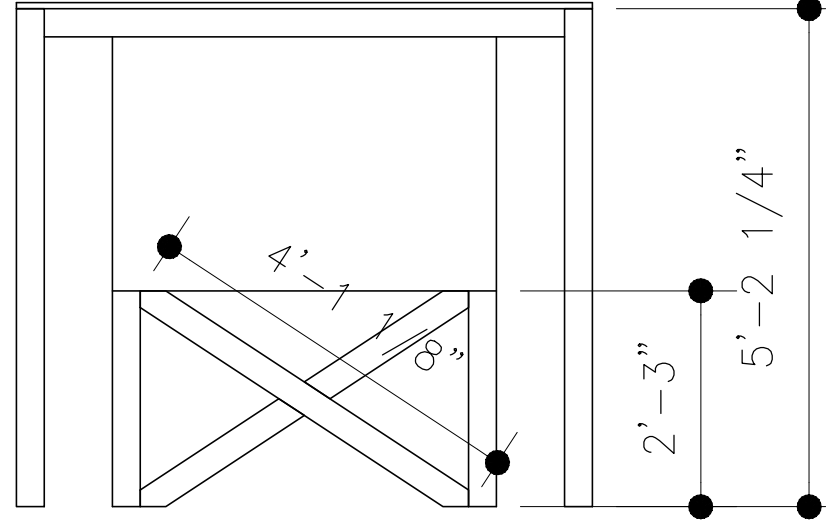
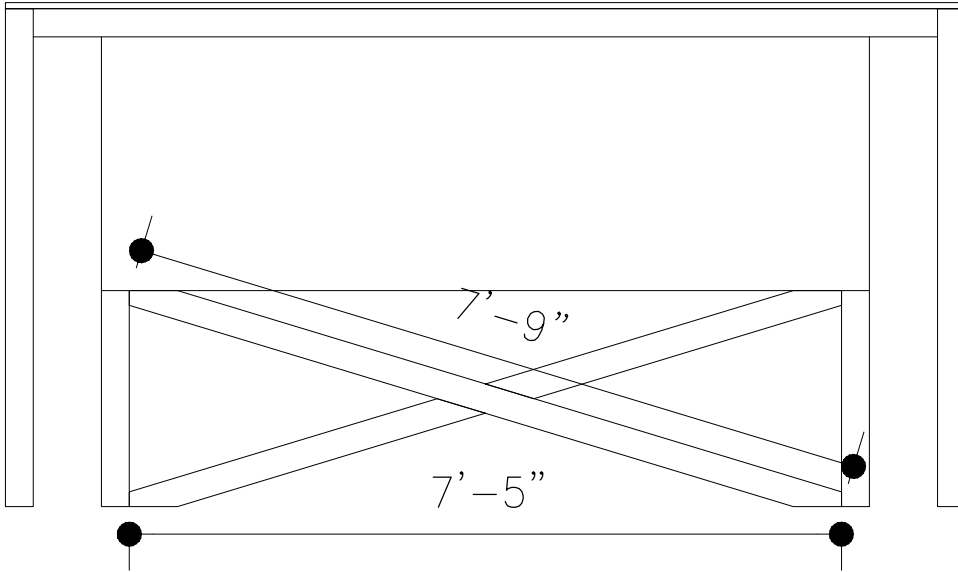


- STANDARD FASTENER SCHEDULES FOR HOUSE CONSTRUCTION TO BE USED

-SURFACE FLOOR ATTACHED TO PLATFORM VIA HOLDDOWNS

- PLATFORM ATTACHED TO EXTERIOR WALLS AT 4X4 POSTS WITH ANGLE BRACKETS

- SILICON SPACERS TO BE USED ON CONNECTION BETWEEN PLATFORM AND EXTERIOR WALL TO REDUCE VIBRATION TRANSFER



ELEVATION

SCALE: 1/2" = 1'-0"

2

ELEVATION

SCALE: 3/4" = 1'-0"

3



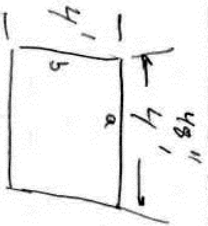
The ImininTech Project
Spring Carnival 2010
ETC Global

Title : Surface Floor Support Platform
Description: Details of surface floor construction
Reference : None

Scale : VARIES
Date : February 26, 2010
By : CW

Sheet No. :

18
of 30



$$\sigma_{max} = \frac{P q l^2}{t^2} \quad Y_{max} = -\frac{2 q l^4}{E t^3}$$

$$= \frac{.2874 \times 0.52 \text{ lb/in}^2 \times (48 \text{ in})^2}{(.75 \text{ in})^2}$$

$$= 612 \frac{\text{lb}}{\text{in}^2}$$

$$\sigma_{ult} = 9500 \text{ lb/in}^2$$

$$F.S. = \frac{9500 \text{ lb/in}^2}{612 \text{ lb/in}^2} = \frac{\sigma_{ult}}{\sigma_{max}}$$

$$F.S. = 15$$

Normally any F.S. (Factor of safety) greater than 5 is safe for people. $3/4''$ lexan is OK

Y_{max} (deflection)

$$Y_{max} = \frac{\sigma q l^4}{E t^3} = \frac{.287444 \times 0.52 \text{ lb/in}^2 \times (48 \text{ in})^4}{345000 \text{ psi} (.75 \text{ in})^3}$$

$$Y_{max} = 0.840 \text{ in}$$

This means that the floor will deflect like a Trampoline - People will feel uncomfortable

$$q = \frac{1200 \text{ lb}}{48'' \times 48''} = 0.52 \text{ lb/in}^2$$

$$E = 345000 \text{ PSI}$$

$$\sigma_{ult} = 9500 \text{ PSI}$$

$$R = 0.2874 \text{ Roark Pg 502}$$

$$R_{for } a/b = 1$$

$$a = 0.6444$$

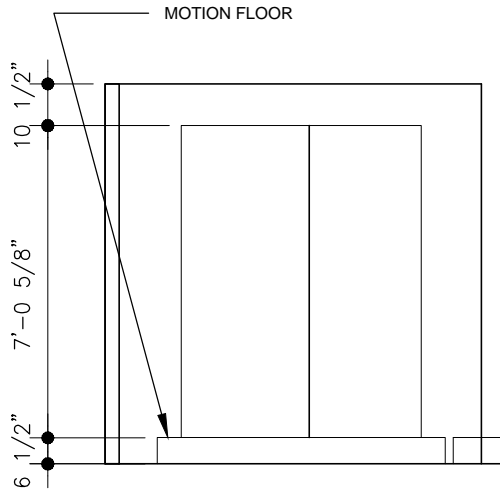


- MOTION FLOOR ACTUATES VERTICALLY 4 93" BY INFLATING 4 BLADDERS.

- BLADDERS ARE RATED TO LIFT UP TO 8,000 LBS

- THE FLOOR CAN ACTUATE ON ONE SIDE ONLY IF DESIRED AND IS CONTROLLED PROGRAMMATICALLY

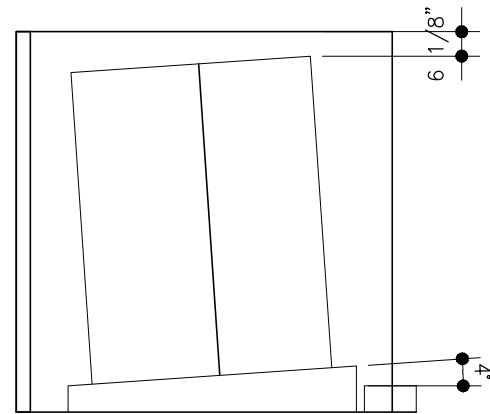
- WALLS ARE 3/8" PLYWOOD FRAMED WITH 2X4 AND FOAM PADDING



REST POSITION

SCALE: 1/4" = 1'-0"

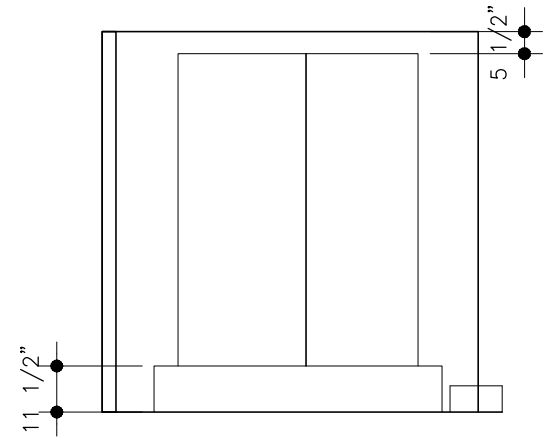
3



TILT POSITION

SCALE: 1/4" = 1'-0"

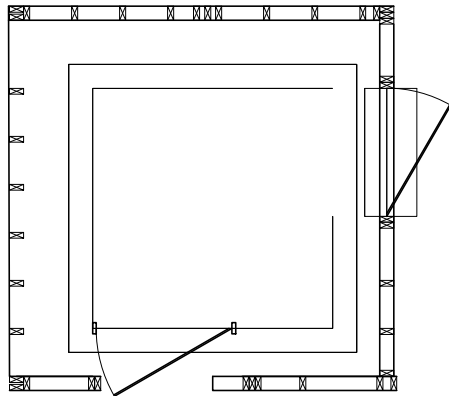
4



FULLY ACTUATED

SCALE: 1/4" = 1'-0"

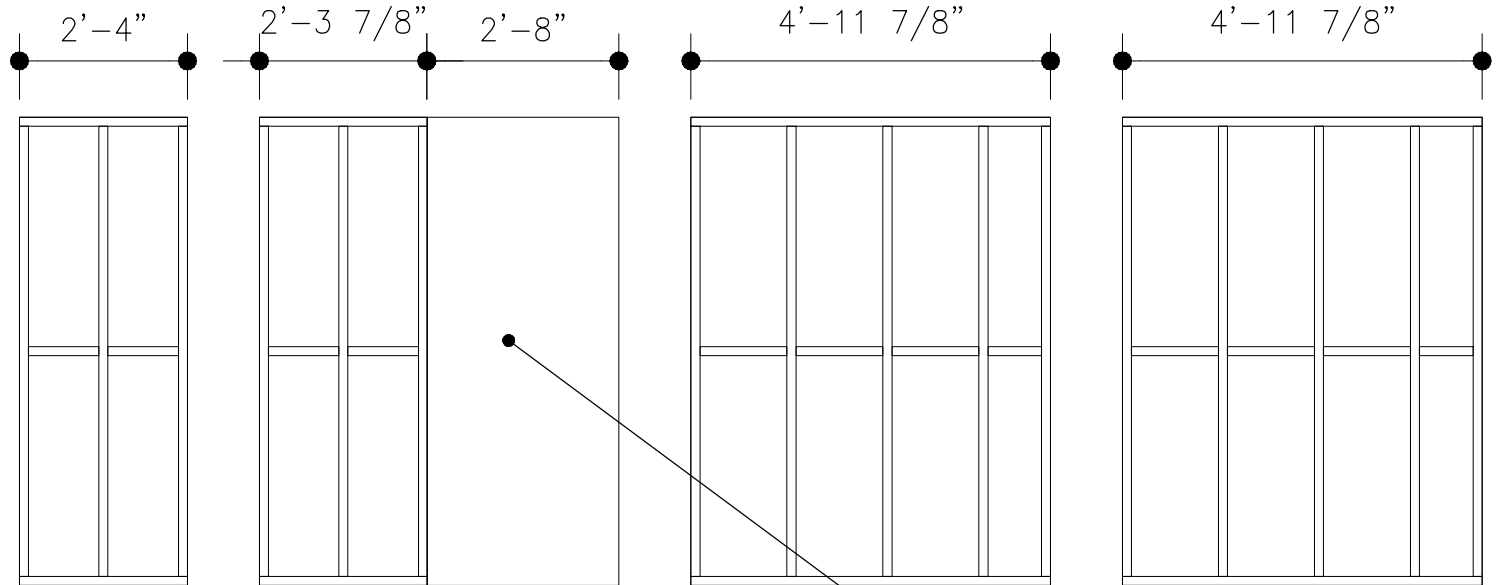
5



PLAN VIEW

SCALE: 1/4" = 1'-0"

1



WALL ELEVATIONS

SCALE: 3/8" = 1'-0"

2

DOOR 103
MOTION FLOOR EXIT DOOR
REFER TO SHEET 27



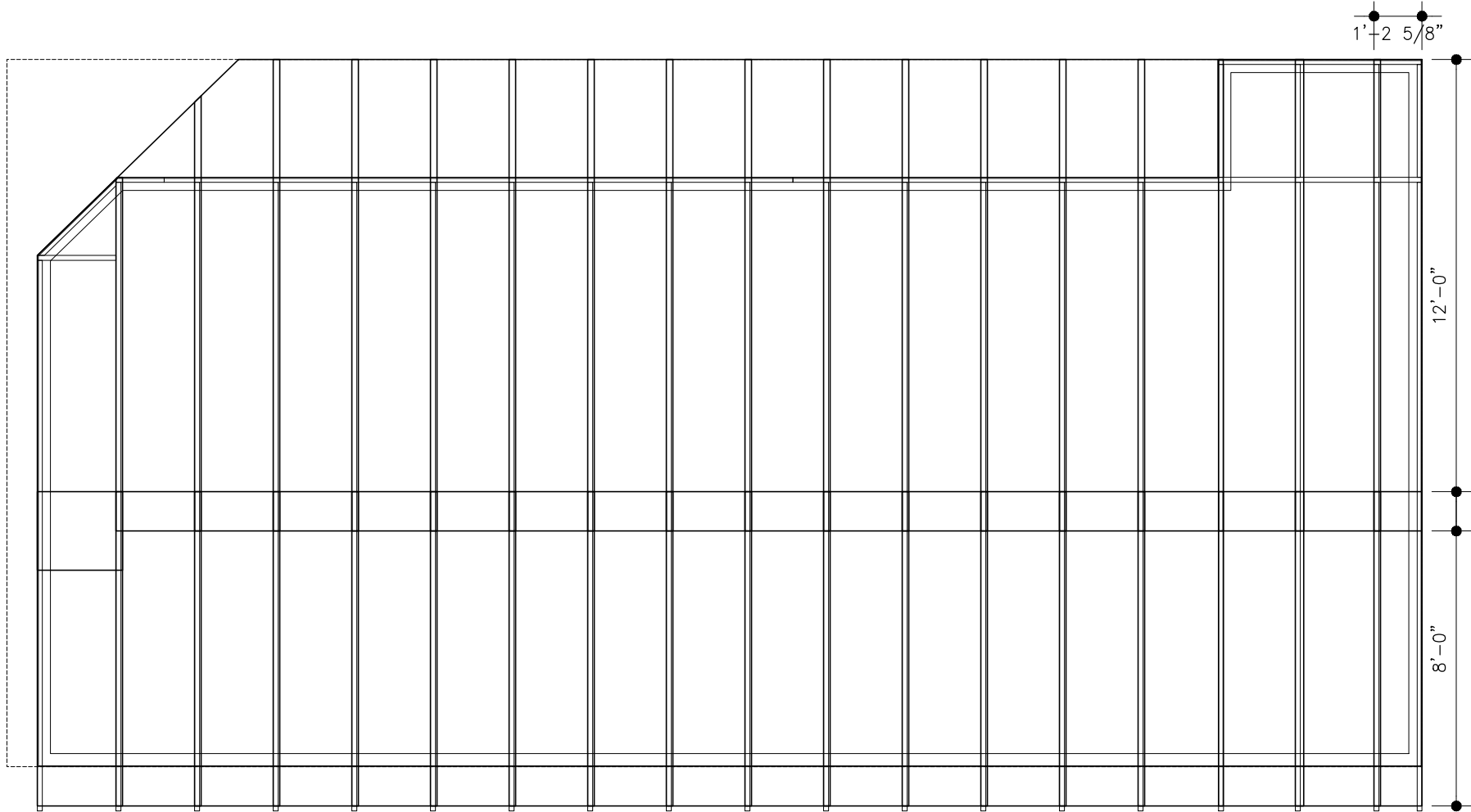
The IminTech Project
Spring Carnival 2010
ETC Global

Title : Motion Floor Details
Description: Details of motion floor construction
Reference : None

Scale : VARIES
Date : February 26, 2010
By : CW

Sheet No. :

20
of 30



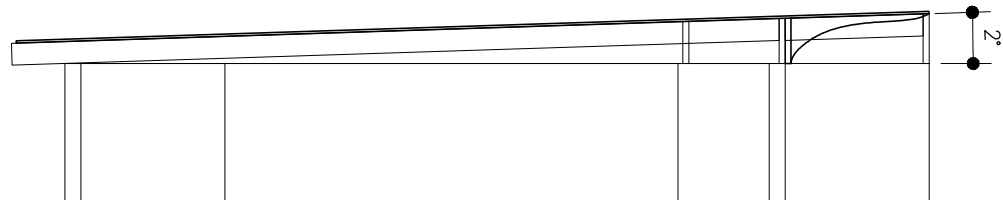
- ROOFING MATERIAL IS TUFTEX POLYCARBONATE PANELS

- EACH SECTION IS MADE UP OF TWO PANELS - 1 X 8' PANEL AND 1 X 12' PANEL

- AT PANEL OVERLAPS (SIDES AND ENDS) SILICONE SEALER SHALL BE APPLIED

- PANELS WILL BE ATTACHED TO RAFTERS WITH #6 SCREW AND A NEOPRENE WASHER AT 2' O.C.

- ROOF OVERHANG AT NORTH SIDE OF BOOTH SHALL BE SUPPORTED BY BRACKETS ATTACHED TO FRONT OF BUILDING



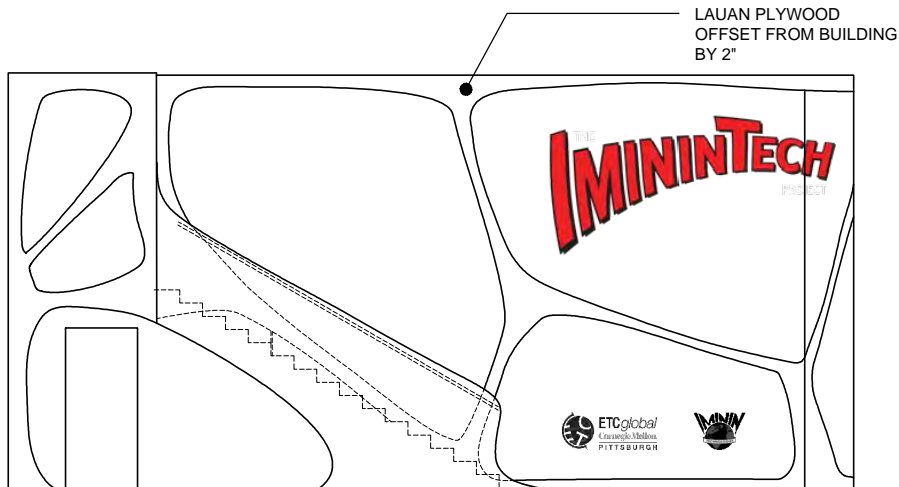
The ImininTech Project
Spring Carnival 2010
ETC Global

Title : Roof Plan and Details
Description: Layout of roof and its construction details
Reference : None

Scale : 1/4" = 1'-0"
Date : February 26, 2010
By : CW

Sheet No. :

21
of 30

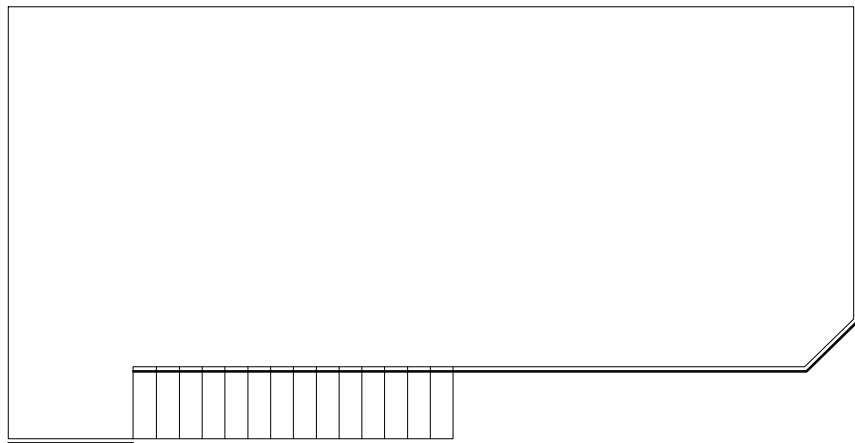


EAST ELEVATION

SCALE: 1/8" = 1'-0"

1

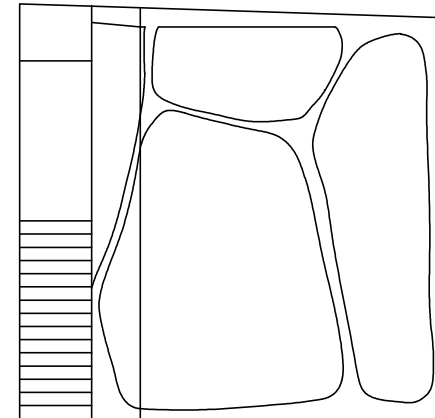
- REFER TO SHEET 24 FOR EXTERIOR STAIR DETAILS
- LOGOS TO BE CARVED FROM 24" X 24" X 2" FOAM BLOCKS AND AFFIXED TO EXTERIOR WALL



PLAN

SCALE: 1/8" = 1'-0"

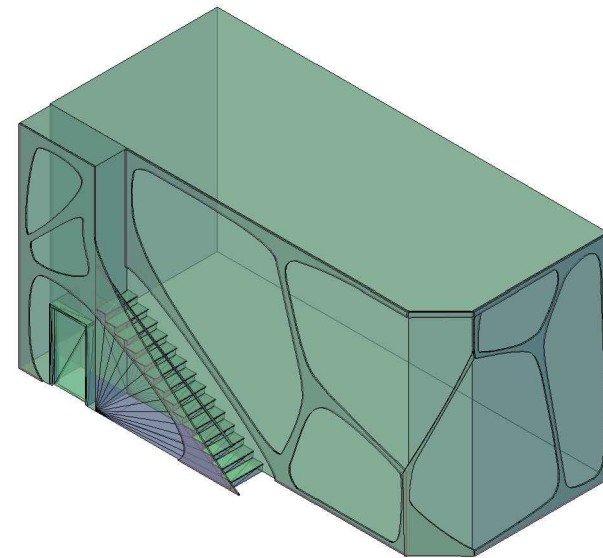
3



SOUTH ELEVATION

SCALE: 1/8" = 1'-0"

2



AXIOMETRIC

SCALE: N/A

4



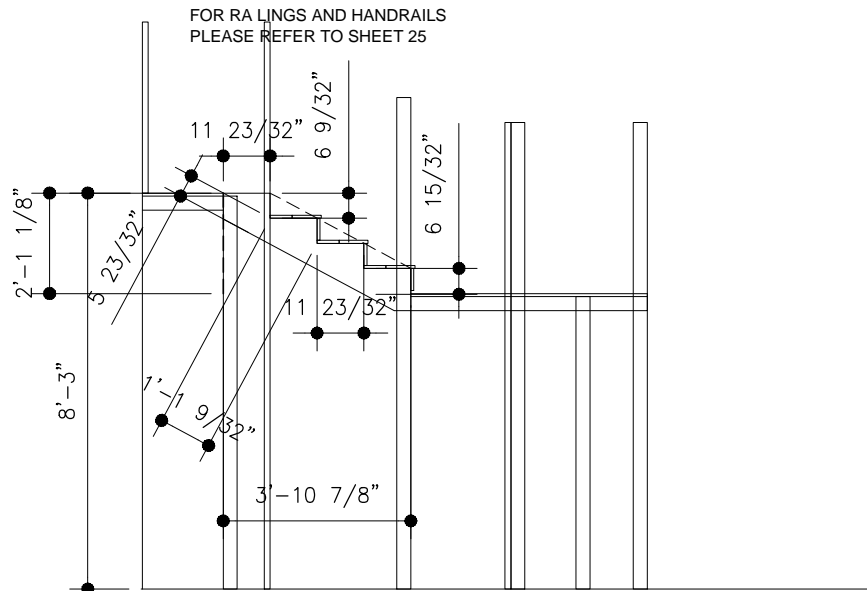
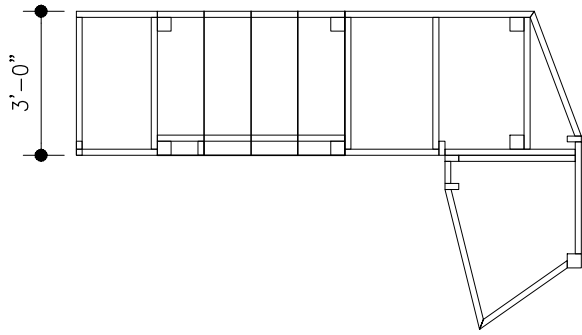
The ImininTech Project
Spring Carnival 2010
ETC Global

Title : Exterior Facades
Description: Layout of exterior facades
Reference : None

Scale : 1/8" = 1'-0"
Date : February 26, 2010
By : CW

Sheet No. :

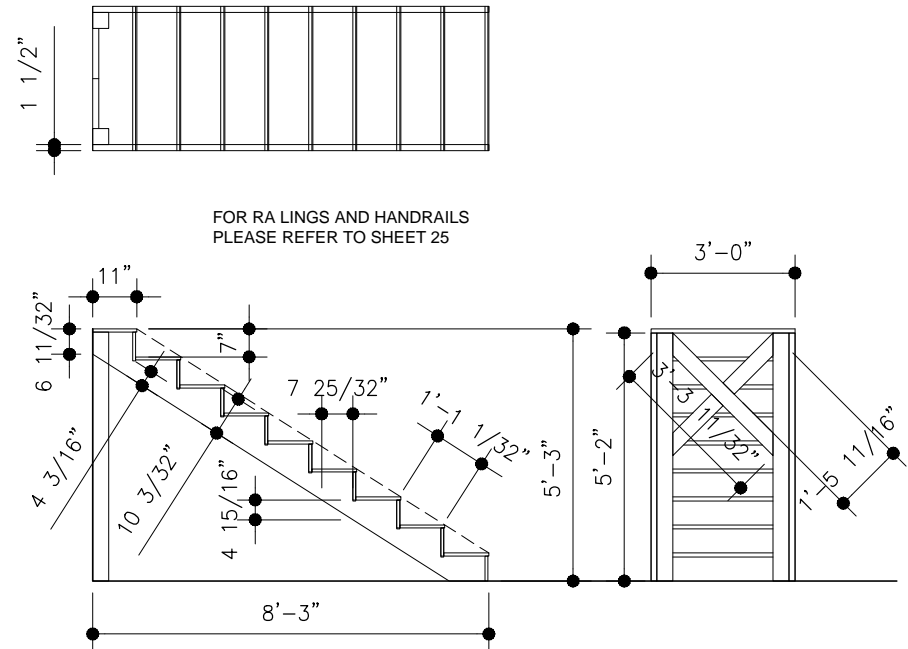
22
of 30



FIRST INTERIOR STAIR

SCALE: 1/4" = 1'-0"

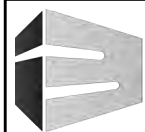
1



SECOND INTERIOR STAIR

SCALE: 1/4" = 1'-0"

2



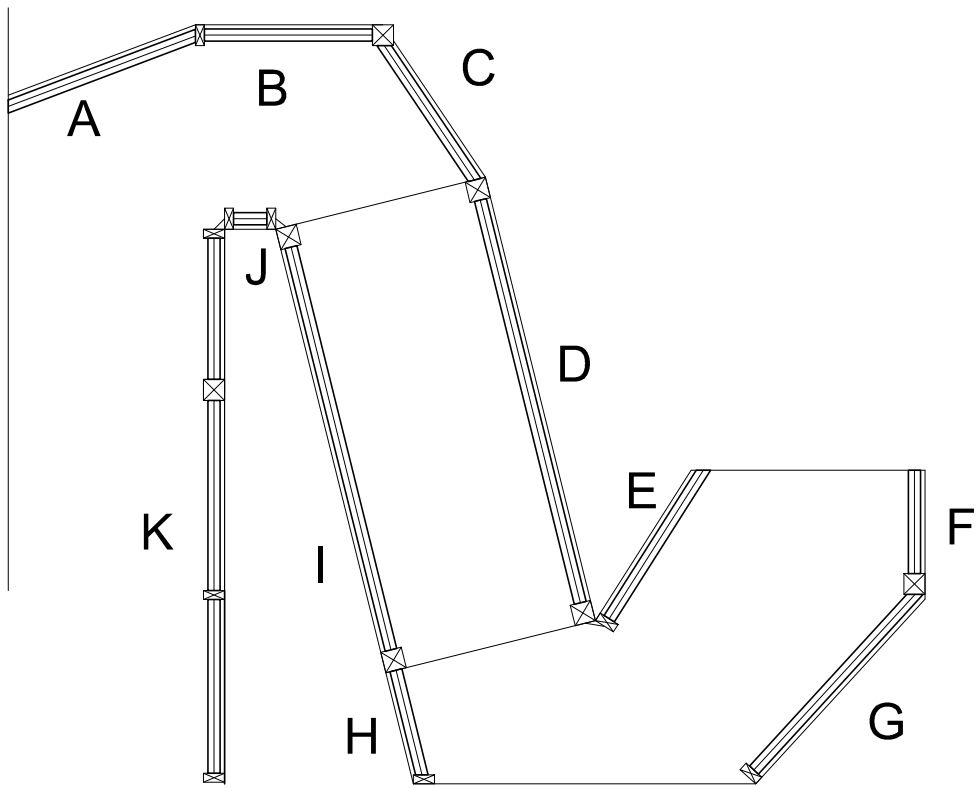
The ImininTech Project
Spring Carnival 2010
ETC Global

Title : Stair Details
Description: Layout of stairs and construction details
Reference : None

Scale : 1/4" = 1'-0"
Date : February 26, 2010
By : CW

Sheet No. :

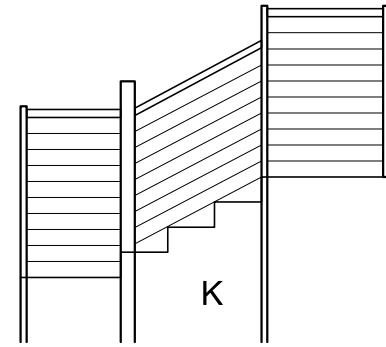
23
of 30



RAILING PLAN VIEW

SCALE: 3/8" = 1'-0"

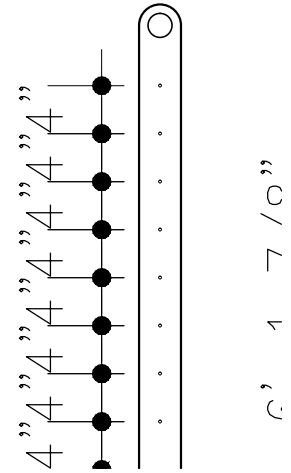
1



RAILING ELEVATIONS

SCALE: 1/4" = 1'-0"

2



POST ELEVATION

SCALE: 1/2" = 1'-0"

3

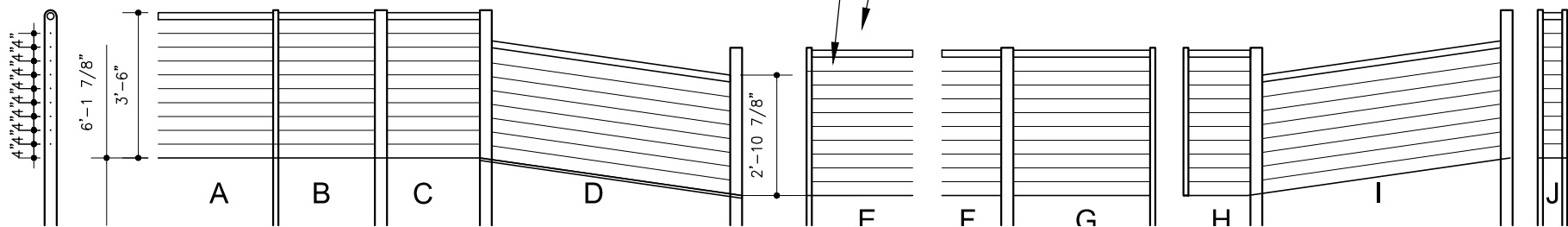
-ALL POSTS GO DOWN TO GROUND LEVEL UNLESS NOTED OTHERWISE

- POSTS ARE EITHER 2X4 OR 4X4 AS NOTED

- POSTS ARE ATTACHED INTO FRAMING OF RAMP, STAIRS, AND PLATFORMS REFER TO SHEETS 23 & 24 FOR DETAILS

WOODEN DOWEL

WOODEN DOWEL



RAILING ELEVATIONS

SCALE: 1/4" = 1'-0"

4



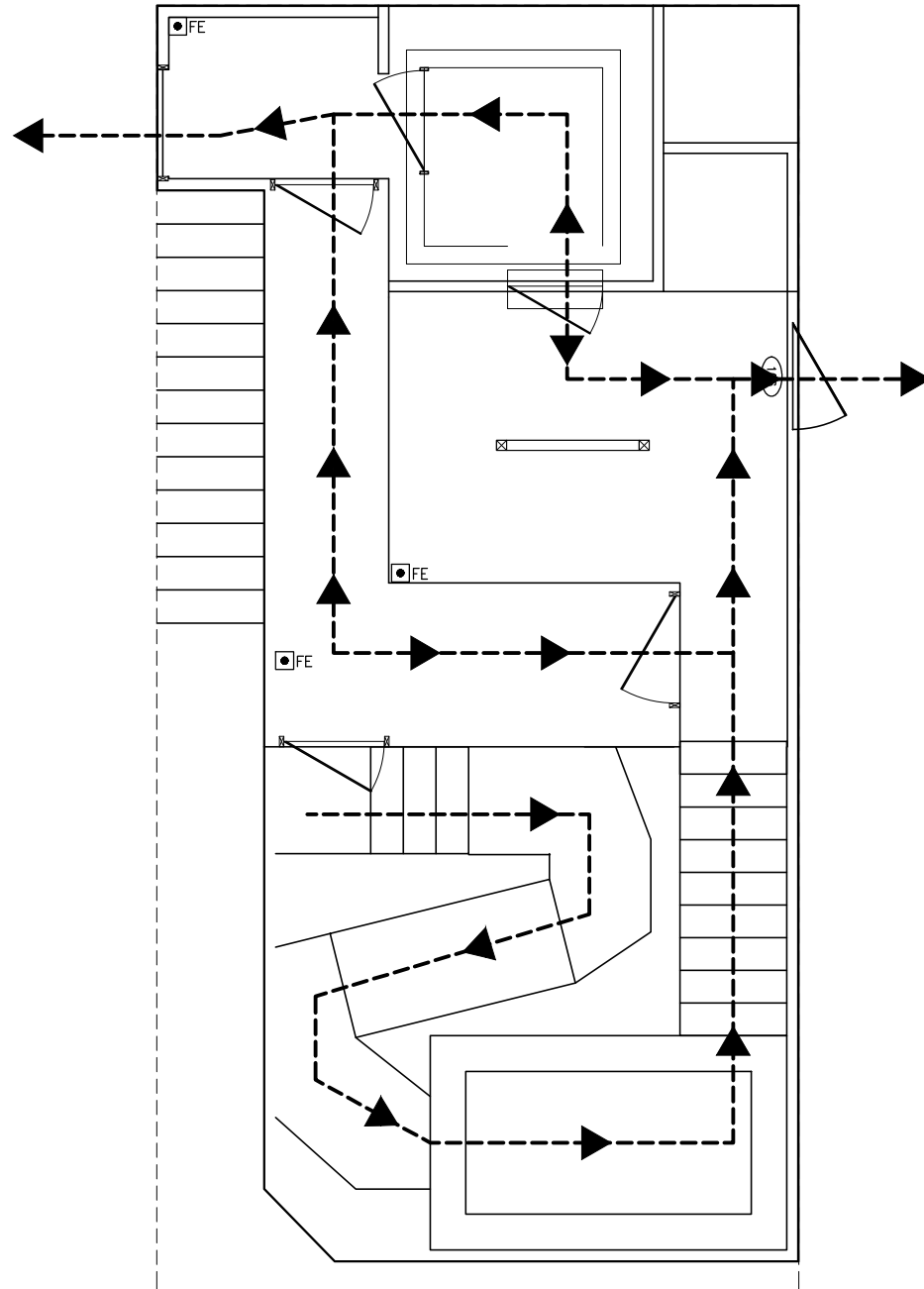
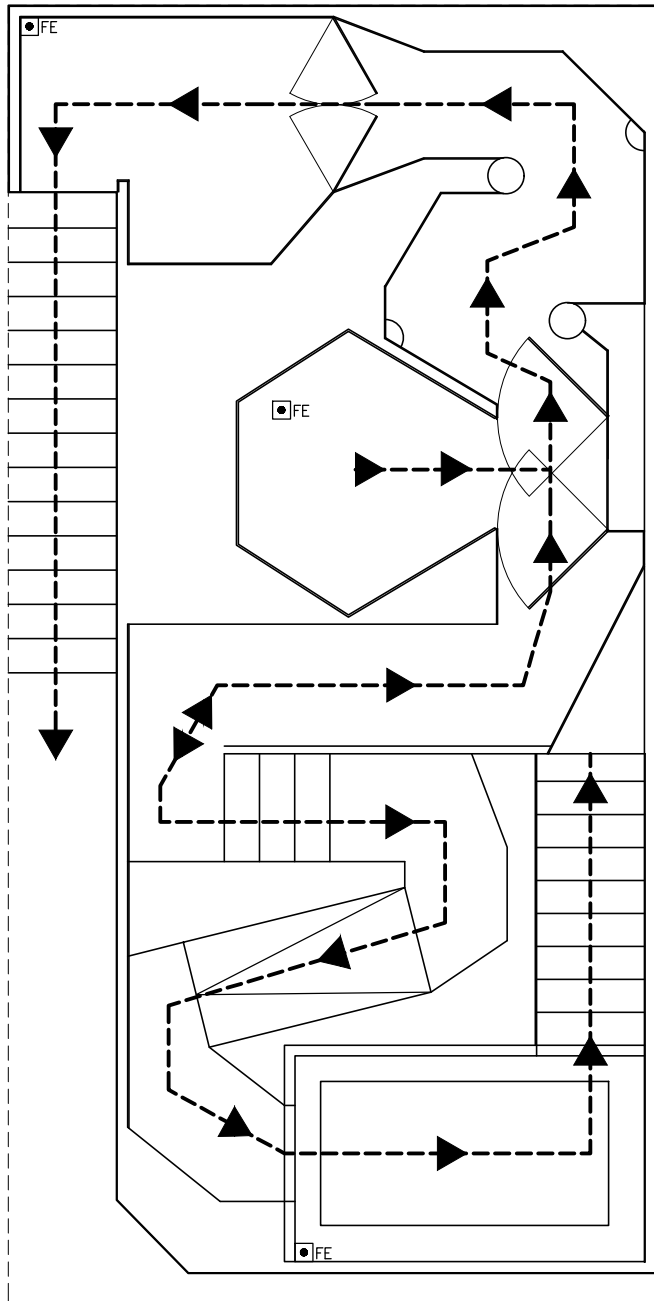
The ImininTech Project
Spring Carnival 2010
ETC Global

Title : Railing Details
Description: Details of Railing construction
Reference : None

Scale : VARIES
Date : February 26, 2010
By : CW

Sheet No. :

25
of 30



LEGEND



F RE EXTINGUISHER
TYPE ABC

EVACUATION
ROUTE



EVACUATION ROUTE
DIRECTION INDICATOR



The ImininTech Project
Spring Carnival 2010
ETC Global

Title : Egress pathing and FE locations
Description: Emergency egress layout with FE
Reference : None

Scale : 3/16" = 1'-0"
Date : February 26, 2010
By : CW

Sheet No. :

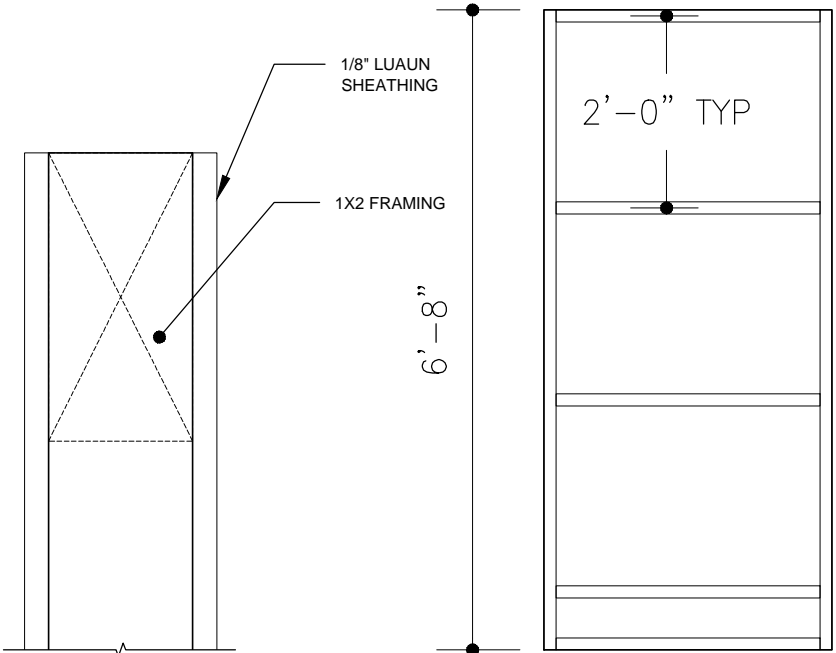
26
of 30

Door Number	Type	Swing	Material	Width	Height	Use
101	Single Leaf	Single Action	Lauan	32"	6' 8"	Public
102	Bar	Down Swing	2.5" PVC	32"	6' 8"	Public
103	Single Leaf	Single Action	Lauan	32"	6' 8"	Public
104	Open	n/a	n/a	32"	8' 3"	Public
105	Open	n/a	n/a	36"	6' 8"	Public
106	Single Leaf	Single Action	Lauan	36"	6' 8"	Emergency
107	Single Leaf	Single Action	Lauan	36"	6' 8"	Staff
108	Single Leaf	Single Action	Lauan	33 7/8"	6' 8"	Staff
109	Single Leaf	Single Action	Lauan	33 1/4"	6' 8"	Staff
201	Open	n/a	n/a	32 1/4"	6' 8"	Public
202	Dual Leaf	Double Action	Lauan	58"	8'	Public
203	Single Leaf	Double Action	Lauan	36"	8'	Public
204	Single Leaf	Double Action	Lauan	36"	8'	Public
205	Open	n/a	n/a	32"	6' 8"	Public
206	Open	n/a	n/a	36"	6' 8"	Public

DOOR SCHEDULE

SCALE: N/A

1



TYP DOOR DETAIL

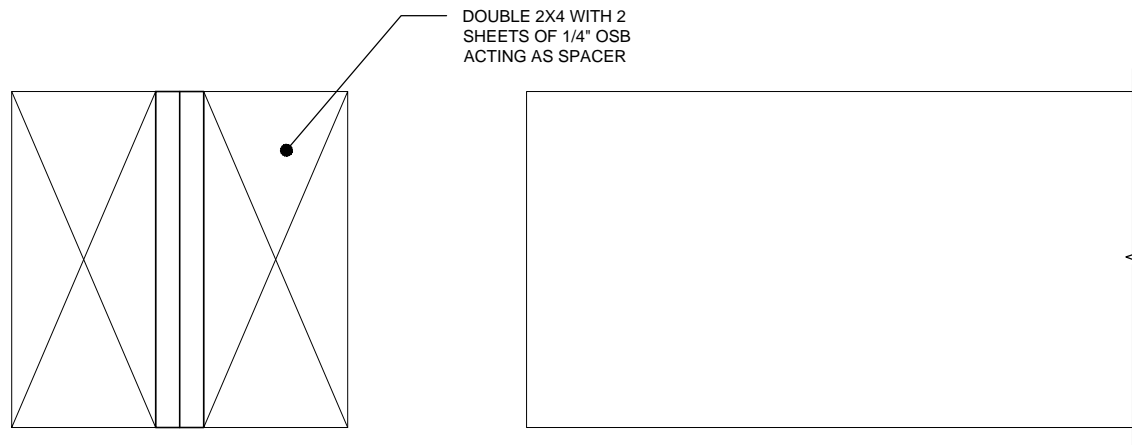
SCALE: 1'-0" = 1'-0"

2

TYP DOOR ELEVATION

SCALE: 1/2" = 1'-0"

3



DOUBLE 2X4 WITH 2 SHEETS OF 1/4" OSB ACTING AS SPACER

TYPICAL HEADER CONSTRUCTION DETAIL

SCALE: 6" = 1'-0"

4

- ALL ENTRYWAYS WILL HAVE HEADERS
- SINGLE ACTION HINGES ONLY USED IN AREAS WITH MULTIPLE AVENUES OF ESCAPE
- DOUBLE ACTION DOORS WILL USE HOME DEPOT SKU# 683221 3" DOUBLE-ACTION SPRING HINGE AS TYPICAL HARDWARE UNLESS NOTED OTHERWISE EACH DOOR SHALL USE 2 HINGES
- SINGLE ACTION DOORS WILL USE LOWES ITEM# 61520 BLUM 2.25" X 1.25" X 2.25" SELF CLOSING HINGES AS TYPICAL HARDWARE UNLESS NOTED OTHERWISE EACH DOOR SHALL USE 3 HINGES
- DOOR PANEL CONSTRUCTION SHALL USE #6 SCREWS AT 12" O.C.
- HEADERS SHALL USE #6 SCREWS AT STAGGERED 6" O.C.
- STAFF DOORS ARE THE ONLY DOORS THAT SHALL LATCH
- EMERGENCY DOOR WILL BE LATCHED ONLY WHEN ATTRACTION IS CLOSED
- DOORS 105 AND 201 SHALL BE COVERED WITH PLYWOOD WHILE BOOTH IS NOT IN OPERATION

	The ImininTech Project Spring Carnival 2010 ETC Global	Title :	Second Floor Support Structure	Scale :	VARIES	Sheet No. : 27 of 30
		Description :	Layout of support structure for second floor	Date :	February 26, 2010	
		Reference :	None	By :	CW	

Fixture	Wattage	Location	Use
Computer 1	200	Control Room	Control Computer
Computer 2	200	Control Room	Control Computer
Computer 3	200	Control Room	Control Computer
Computer 4	200	Control Room	Control Computer
Computer 5	200	Surface Floor	Surface Floor Computer
Computer 6	200	Surface Floor	Surface Floor Computer
Computer 7	200	Breifing	Video Feed
Computer 8	200	Debriefing	Video Feed
Computer 9	200	Motion Floor	Motion Floor Computer
Computer 10	200	Hallway 1	Video Feed
Projector 1	500	Surface Floor	Video Projection
Projector 2	500	Surface Floor	Video Projection
Monitor 1	250	Control Room	Computer Monitor
Monitor 2	250	Control Room	Computer Monitor
Monitor 3	250	Control Room	Computer Monitor
Monitor 4	250	Control Room	Computer Monitor
Monitor 5	250	Breifing	Video Feed
Monitor 6	250	Breifing	Video Feed
Monitor 7	250	Debriefing	Video Feed
Monitor 8	250	Debriefing	Video Feed
Monitor 9	250	Hallway 1	Video Feed
Monitor 10	250	Hallway 1	Video Feed
Monitor 11	250	Hallway 1	Video Feed
Monitor 12	250	Hallway 1	Video Feed
LED Lights x 12	156	Throughout Installation	General Lighting
Rope Light x 110 ft	880	Throughout Installation	General Lighting
LED Rope Light x 75 ft	60	Throughout Installation	General Lighting
CFL x 7	91	Throughout Installation	General Lighting
TOTAL WATTAGE	7187		

- 60 AMP SINGLE PHASE SERVICE
REQUESTED ALLOWING 9600 TOTAL
WATTAGE

- TOTAL WATTAGE USAGE 73% OF MAX
WATTAGE

- WATTAGE USAGE ARE ESTIMATES AND
IN-FIELD TESTING WILL BE REQUIRED



The ImininTech Project
Spring Carnival 2010
ETC Global

Title : Fixture Schedule
Description: Schedule of all electronic equipment
Reference : None

Scale : N/A
Date : February 26, 2010
By : CW

Sheet No. :

28
of 30

ORDER OF BUILDING ASSEMBLY IS LISTED BELOW. A VISUAL DIAGRAM HAS NOT BEEN PROVIDED DUE TO THE COMPLEXITY OF THE PROJECT. THE DIAGRAM WOULD NOT HAVE BEEN ABLE TO PARSE OUT THE BUILDING PHASES DISTINCTLY ENOUGH TO BE USEFUL. THIS IS MEANT TO BE A GENERAL SCHEDULE OF CONSTRUCTION. ACTUAL CONSTRUCTION MAY BE AFFECTED BY INCLEMENT WEATHER OR OTHER FACTORS BEYOND OUR CONTROL.

ALL SAFETY REGULATIONS LISTED IN THE 'CMU STRUCTURAL BUILDING GUIDELINES - REVISED JANUARY 2010' AND THE ' TERMS AND CONDITIONS OF PARTICIPATION' DOCUMENT PROVIDED BY THE CMU SPRING CARNIVAL COMMITTEE SHALL BE OBSERVED AT ALL TIMES. THIS INCLUDES BUT IS NOT LIMITED TO THE USE OF HARDHATS, TIE-OFFS, TEMPORARY RAILINGS, SAFETY GLASSES AND USE OF APPROVED POWER TOOLS. ALL REGULATIONS REGARDING CONSTRUCTION TIMES AND NOISE ORDNANCES SHALL BE OBSERVED.

ALL CONSTRUCTION TO BE DONE WITH BOLTS OR SCREWS FOR STRENGTH AND EASE OF ASSEMBLY AND DISASSEMBLY. ALL MATERIALS SHALL BE RETURNED TO THE ETC FOR USE IN FUTURE PROJECTS. THERE SHOULD BE LITTLE TO NO WASTE FROM THE CONSTRUCTION OF THIS BOOTH.

ORDER OF CONSTRUCTION

1. 1ST FLOOR INTERACTION PIECES
 - 1.1. MOTION FLOOR AND COMPRESSOR TO BE ASSEMBLED
 - 1.2. SURFACE FLOOR PLATFORM AND SURFACE FLOOR TO BE ASSEMBLED
2. INTERIOR PLATFORMS, STAIRS AND RAMPS INCLUDING ALL ASSOCIATED RAILINGS TO BE ASSEMBLED
3. RUN ALL INTERIOR WIRING (POWER, NETWORK, MONITOR) AS NECESSARY FOR 1ST FLOOR
4. PLACE ALL 1ST FLOOR COMPUTERS AND MONITORS AS NECESSARY
5. 1ST FLOOR INTERIOR STUD WALLS TO BE ASSEMBLED
6. EXTERIOR STUD WALLS FOR 1ST FLOOR TO BE ASSEMBLED
7. 2ND FLOOR STRUCTURE TO BE ASSEMBLED
8. EXTERIOR STAIR TO BE ASSEMBLED
9. 2ND FLOOR INTERACTION PIECES TO BE ASSEMBLED
 - 9.1. CAVE ROOM
 - 9.2. WATERFALL
 - 9.3. AUGMENTED REALITY PIECE
10. 2ND FLOOR INTERIOR WALLS TO BE ASSEMBLED
11. RUN ALL INTERIOR WIRING (POWER, NETWORK, MONITOR) AS NECESSARY FOR 2ND FLOOR
12. PLACE ALL 2ND FLOOR COMPUTERS AND MONITORS AS NECESSARY
13. 2ND FLOOR EXTERIOR STUD WALLS TO BE ASSEMBLED
14. ROOF TO BE ASSEMBLED
15. DECORATIVE ITEMS TO BE ASSEMBLED
 - 15.1. EXTERIOR FACADE ELEMENTS
 - 15.2. HALLWAY 1 ELEMENTS TO BE ASSEMBLED
 - 15.3. HALLWAY 2 ELEMENTS TO BE ASSEMBLED
 - 15.4. HALLWAY 3 ELEMENTS TO BE ASSEMBLED
 - 15.5. TOUCH-UP OF ANY DECORATIVE ELEMENTS AS NECESSARY
16. HANG INTERIOR DOORS
17. TEST ALL ELECTRICAL AND COMPUTER SYSTEMS
18. CLEANUP OF ANY CONSTRUCTION EQUIPMENT



The ImininTech Project
Spring Carnival 2010
ETC Global

Title : Assembly Plan
Description: Detailed schedule of assembly
Reference : None

Scale : N/A
Date : February 26, 2010
By : CW

Sheet No. :

29
of 30

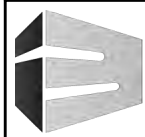
ORDER OF BUILDING DISASSEMBLY IS LISTED BELOW. A VISUAL DIAGRAM HAS NOT BEEN PROVIDED DUE TO THE COMPLEXITY OF THE PROJECT. THE DIAGRAM WOULD NOT HAVE BEEN ABLE TO PARSE OUT THE DECONSTRUCTION PHASES DISTINCTLY ENOUGH TO BE USEFUL. THIS IS MEANT TO BE A GENERAL SCHEDULE OF DECONSTRUCTION. ACTUAL DECONSTRUCTION MAY BE AFFECTED BY INCLEMENT WEATHER OR OTHER FACTORS BEYOND OUR CONTROL.

ALL SAFETY REGULATIONS LISTED IN THE 'CMU STRUCTURAL BUILDING GUIDELINES - REVISED JANUARY 2010' AND THE 'TERMS AND CONDITIONS OF PARTICIPATION' DOCUMENT PROVIDED BY THE CMU SPRING CARNIVAL COMMITTEE SHALL BE OBSERVED AT ALL TIMES. THIS INCLUDES BUT IS NOT LIMITED TO THE USE OF HARDHATS, TIE-OFFS, TEMPORARY RAILINGS, SAFETY GLASSES AND USE OF APPROVED POWER TOOLS. ALL REGULATIONS REGARDING CONSTRUCTION TIMES AND NOISE ORDNANCES SHALL BE OBSERVED.

ALL CONSTRUCTION TO BE DONE WITH BOLTS OR SCREWS FOR STRENGTH AND EASE OF ASSEMBLY AND DISASSEMBLY. ALL MATERIALS SHALL BE RETURNED TO THE ETC FOR USE IN FUTURE PROJECTS. THERE SHOULD BE LITTLE TO NO WASTE FROM THE CONSTRUCTION OF THIS BOOTH.

ORDER OF DECONSTRUCTION

1. REMOVE ALL COMPUTERS AND MONITORS FROM 1ST AND 2ND FLOOR
2. REMOVE ALL WIRING (POWER, NETWORK, MONITOR) FROM 1ST AND 2ND FLOOR
3. REMOVE ALL INTERIOR DOORS
4. REMOVE EXTERIOR FACADE ELEMENTS
5. REMOVE ALL INTERIOR DECORATIVE ELEMENTS
6. REMOVE ROOF
7. REMOVE 2ND FLOOR EXTERIOR STUD WALLS
8. REMOVE 2ND FLOOR INTERIOR WALLS
9. REMOVE 2ND FLOOR INTERACTIVE PIECES
 - 9.1. CAVE ROOM
 - 9.2. WATERFALL
 - 9.3. AUGMENTED REALITY PIECE
10. REMOVE EXTERIOR STAIR
12. REMOVE SECOND FLOOR
13. REMOVE 1ST FLOOR EXTERIOR STUD WALLS
14. REMOVE 1ST FLOOR INTERIOR STUD WALLS
15. REMOVE INTERIOR PLATFORMS, STAIRS, AND RAMPS INCLUDING RAILINGS
16. REMOVE 1ST FLOOR INTERACTION PIECES
 - 16.1. MOTION FLOOR AND COMPRESSOR
 - 16.2. SURFACE FLOOR AND PLATFORM
17. CLEANUP OF ANY DEBRIS OR CONSTRUCTION EQUIPMENT



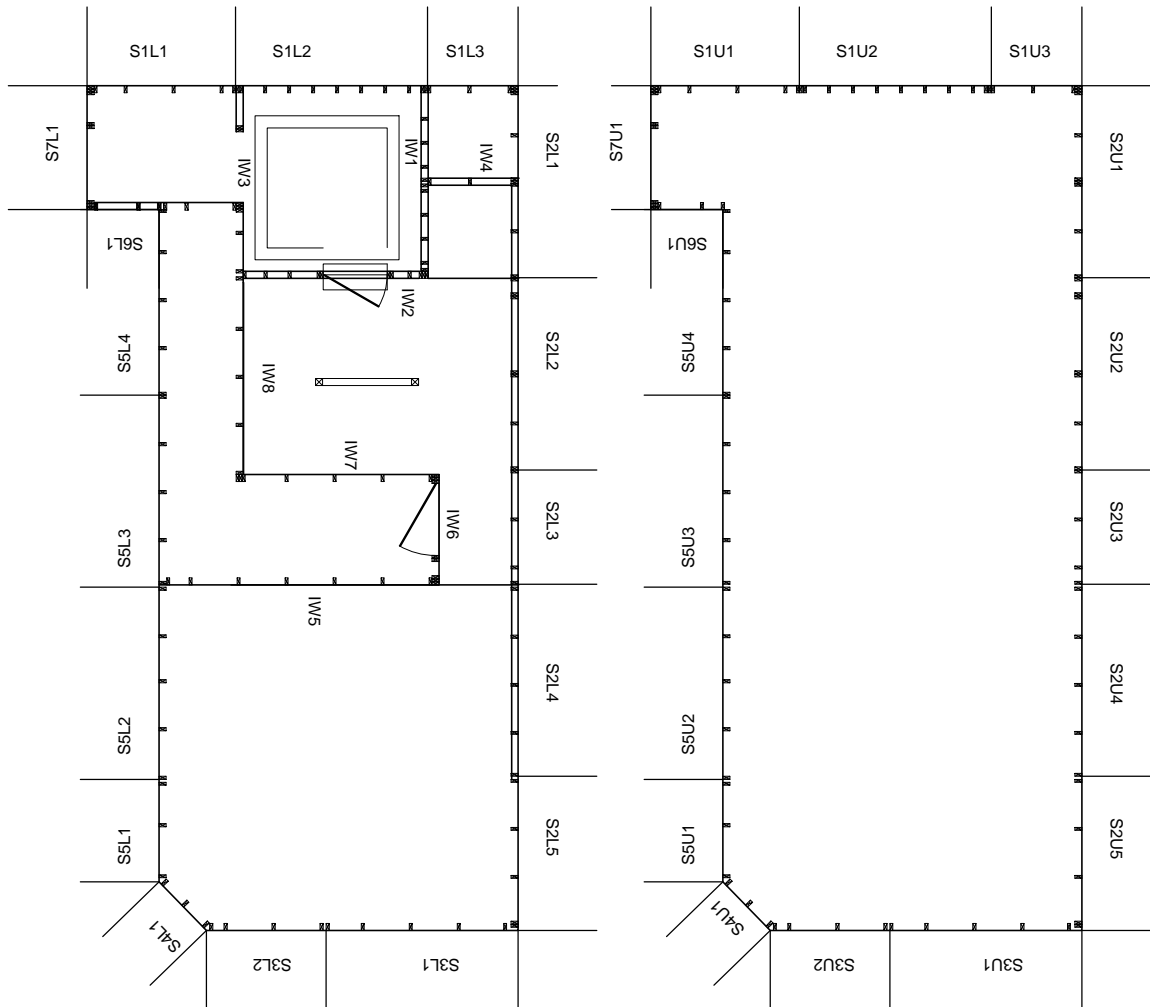
The ImininTech Project
Spring Carnival 2010
ETC Global

Title : Disassembly Plan
Description: Detailed schedule of disassembly
Reference : None

Scale : N/A
Date : February 26, 2010
By : CW

Sheet No. :

30
of 30



STAIR NUMBERING SYSTEM IS AS FOLLOWS:

EST - EXTERIOR STAIR TREAD
 ESR - EXTERIOR STAIR RISER
 ESS - EXTERIOR STAIR STRINGER

FIST - FIRST INTERIOR STAIR TREAD
 FISR - FIRST INTERIOR STAIR RISER
 FISS - FIRST INTERIOR STAIR STRINGER

SIST - SECOND INTERIOR STAIR TREAD
 SISR - SECOND INTERIOR STAIR RISER
 SISS - SECOND INTERIOR STAIR STRINGER

EXTERIOR STAIR STRINGERS ARE BROKEN INTO 3
 PIECES

SECOND INTERIOR STAIR STRINGERS ARE BROKEN
 INTO 2 PIECES

ATTACH BOTH OF THESE TOGETHER USING
 SCREW-ON MENDING PLATES

WALL NUMBERING SYSTEM IS AS FOLLOWS:

EXTERIOR WALL EXAMPLES:

S1L1 = SIDE 1 LOWER SECTION 1
 S1U1 = SIDE 1 UPPER SECTION 1

INTERIOR WALL EXAMPLE

IW1 = INTERIOR WALL 1



The ImininTech Project
 Spring Carnival 2010
 ETC Global

Title : Exterior Wall Numbering System
 Description: Code system for exterior walls
 Reference : None

Scale : 1/8" = 1'-0"
 Date : May 01, 2010
 By : CW

Addendum No. :

01